



Installation instructions

KLAFS SaunaPUR with controller model 21029	3
--	---

Manuel d'utilisation

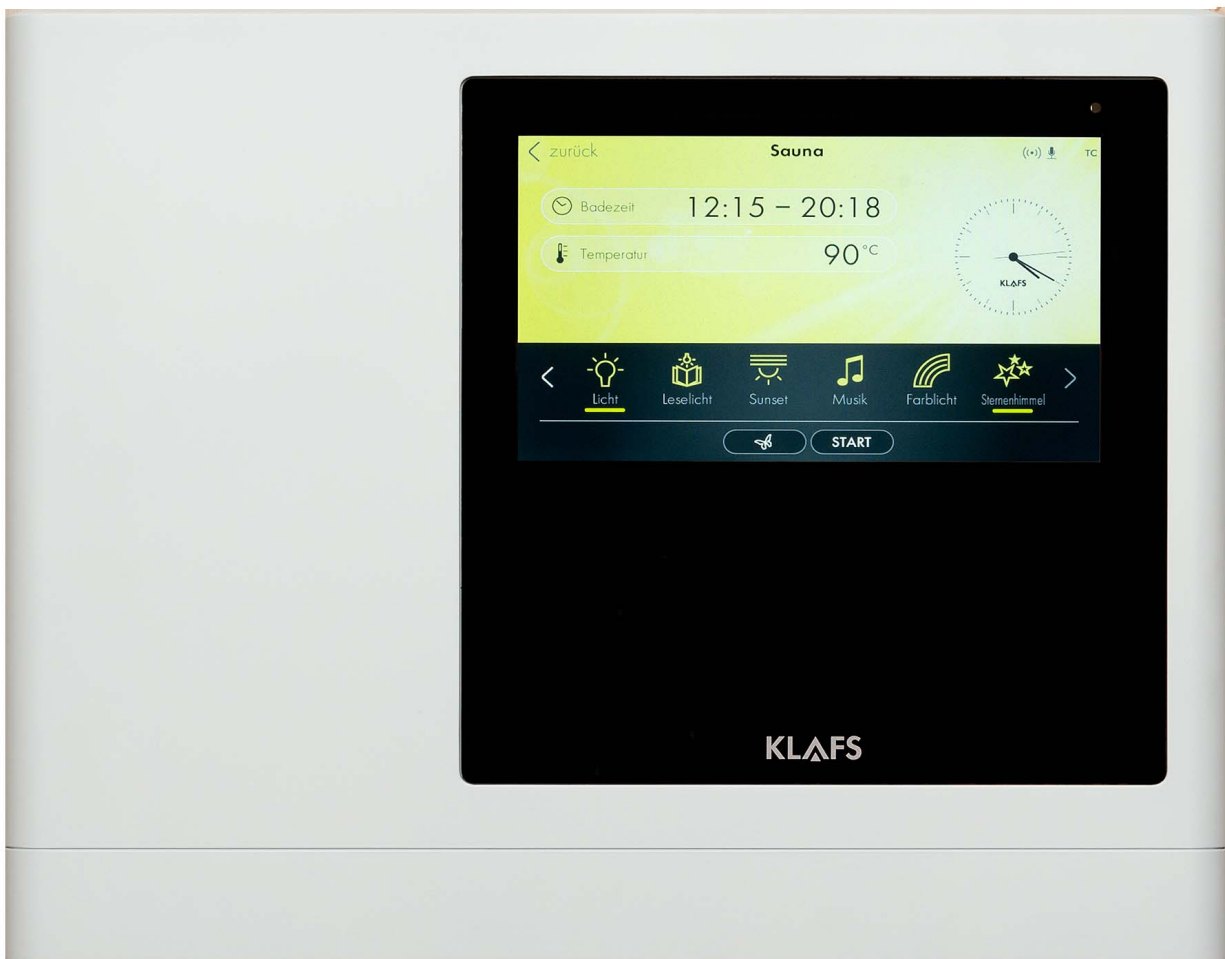
KLAFS SaunaPUR à commande type 21029	37
--	----

Instrucciones de montaje

KLAFS SaunaPUR con unidad de control del tipo 21029	71
---	----

Installation instructions

KLAFS SaunaPUR with controller model 21029



CONTENTS

1.	Intended use	5
2.	General safety precautions	6
3.	Technical data	7
4.	Controller	8
4.1.	Controller operating and display elements	8
5.	SANARIUM controller scope of delivery	9
5.1.	Controller 21029	9
5.2.	Controller 21029 T scope of delivery	9
6.	Installing the controller	10
6.1.	Assembling the controller 21029 housing	10
6.2.	Assembling the controller 21029 T housing	14
6.3.	Configuring the WLAN module	17
6.4.	Installing the temperature sensors	18
7.	Installing optional accessories	20
7.1.	Installing the interior display with SaunaPUR button (optional)	20
7.2.	Installing the remote power-on unit (optional)	22
7.3.	Installing the Climate Manager	23
8.	System settings	25
8.1.	Service menu (01) - CODE, code number	25
8.2.	Service menus	27
8.3.	Service menu 34 - SM_I: Setting the sauna heater type	32
8.4.	Service menu 35 - SM_P: Calibrating the heatup phase	33
9.	WLAN module	34
9.1.	Activating the WLAN module	34

— 90 °C

— 60 °C

— 40 °C

1. INTENDED USE

The controller is intended for use with the heaters tested and approved by the German VDE (Association for Electrical, Electronic and Information Technologies) or TÜV (Technical Inspection Authority):

- Sauna heater
- InfraPLUS (optional).

The controller is only to be used as intended. Intended use also assumes adherence to the operating, installation and servicing instructions. The manufacturer is not responsible for any damage resulting from unintended use or unapproved changes to the controller. The user does these things at their own risk.

The controller may only be operated, maintained and repaired by persons who are familiar with it and aware of the risks involved. Always observe the relevant German VDE regulations and other generally recognised safety precautions.

— 90 °C

— 60 °C

— 40 °C

2. GENERAL SAFETY PRECAUTIONS

Read and observe the operating instructions and safety precautions before commissioning.

- Only install the sauna controller outside the sauna cabin!
- Disconnect the controller from the mains before opening the controller housing.
- The controller may only be connected to the mains by a locally authorised electrician.
- Only connect the sauna unit directly to the mains voltage via a fixed connection in accordance with VDE regulations. Use a residual-current circuit breaker $I_{\Delta N} \leq 0.03 \text{ A}$ with a contact gap of at least 3 mm in the connecting feed line.
- Please contact KLAFS customer service in case of a fault.
- Remote operation (remote power-on unit): Setting, controlling and/or adjusting the controller using a command or a remote control unit that is outside the range of vision of the sauna heater. Remote operation (remote power-on unit) may be used only together with the safety-contact switch (SCS) or the Bonatherm under-bench heater.
- Only use original KLAFS spare parts.
- Unapproved changes to the controller are not permitted.
- Install the controller in accordance with the installation instructions.
- Electrical wiring inside the cabin and the cabin walls must have silicone insulation.
- Before commissioning the controller, always make sure that there are no flammable objects near the sauna heater or infrared heater in the cabin. RISK OF FIRE
- Check the sauna cabin before restarting the timer or switching on the unit via a separate remote activation system.
- The unit can be used by children over eight years of age, by people with reduced physical, sensory or mental capabilities and by people who lack experience/knowledge in using it provided that they are supervised while doing so and/or have been shown how to use the unit safely and understand the potential risks involved. Do not allow children to play in the unit. Children should not clean the unit or carry out basic maintenance on it without supervision.

3. TECHNICAL DATA

Controller

Controller model 21029, 21029 T: 3/N/PE 400 V - 50/60 Hz, max. 9 kW.

Dimensions: W = 325 mm, H = 255 mm, D = 50 mm.

Room conditions: Temperature 0 °C to 40 °C, max. 80% relative humidity.

InfraPLUS

1/N/PE 230 V - 50/60 Hz, approx. 400 W.

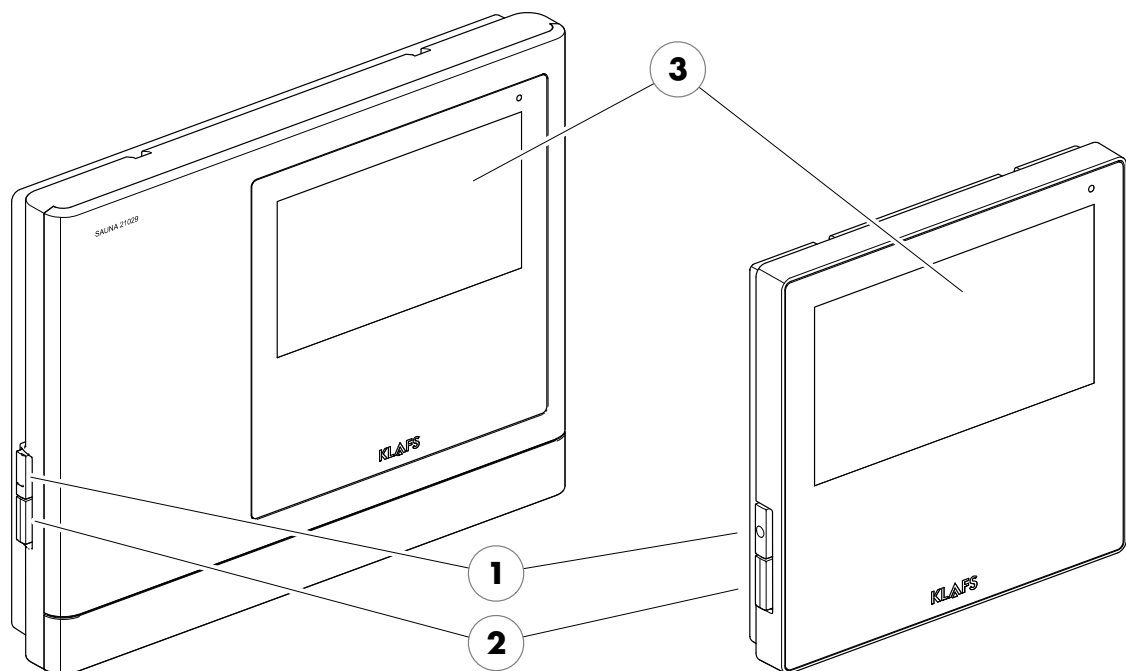
— 90 °C

— 60 °C

— 40 °C

4. CONTROLLER

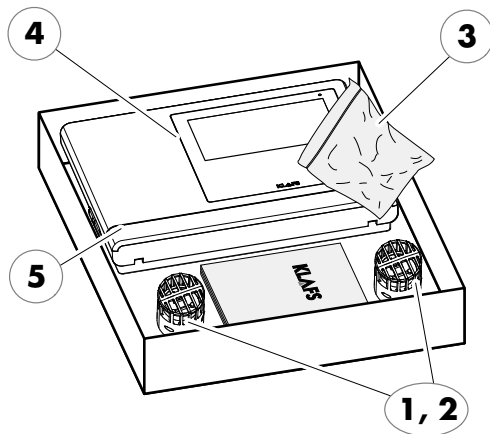
4.1. Controller operating and display elements



Item	Description
1.	<p>Controller main switch.</p> <ul style="list-style-type: none"> • The main switch switches off the mains power to the controller. • The internal clock has a power reserve for a few months in the event of a power failure.
2.	<p>Cabin light switch.</p> <ul style="list-style-type: none"> • When the controller is connected to the mains, the cabin light may be switched on independently of the main switch.
3.	<p>Touchscreen.</p> <ul style="list-style-type: none"> • See the operating instructions for the controller.

5. SANARIUM CONTROLLER SCOPE OF DELIVERY

5.1. Controller 21029

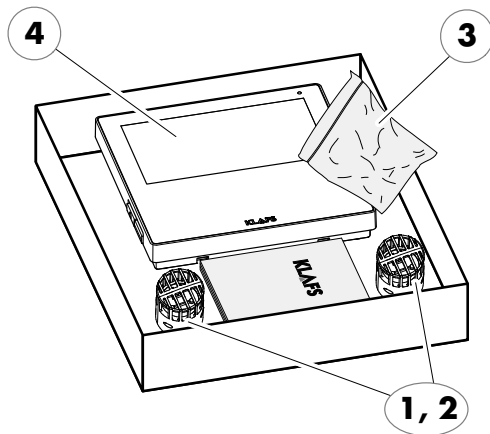


The following components are included in the scope of delivery:

1. 1 x temperature sensor - Temp
2. 1 x temperature sensor - Temp/STL
3. 1 x bag of fastenings
4. 1 x sauna controller 21029

Technical documentation.

5.2. Controller 21029 T scope of delivery



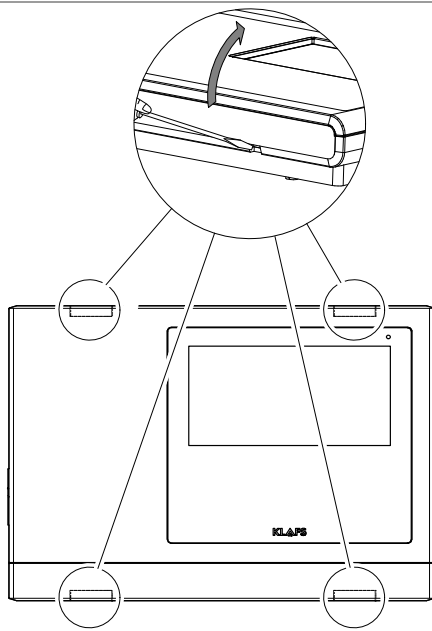
The following components are included in the scope of delivery:

1. 1 x temperature sensor - Temp
2. 1 x temperature sensor - Temp/STL
3. 1 x bag of fastenings
4. 1 x sauna controller 21029 T
5. 1 x power pack

Technical documentation.

6. INSTALLING THE CONTROLLER

6.1. Assembling the controller 21029 housing



Open the controller housing

1. Using a screwdriver, carefully push in and turn the four lugs one after the other as shown.
2. Once all four locks have been released, the front part can be removed.



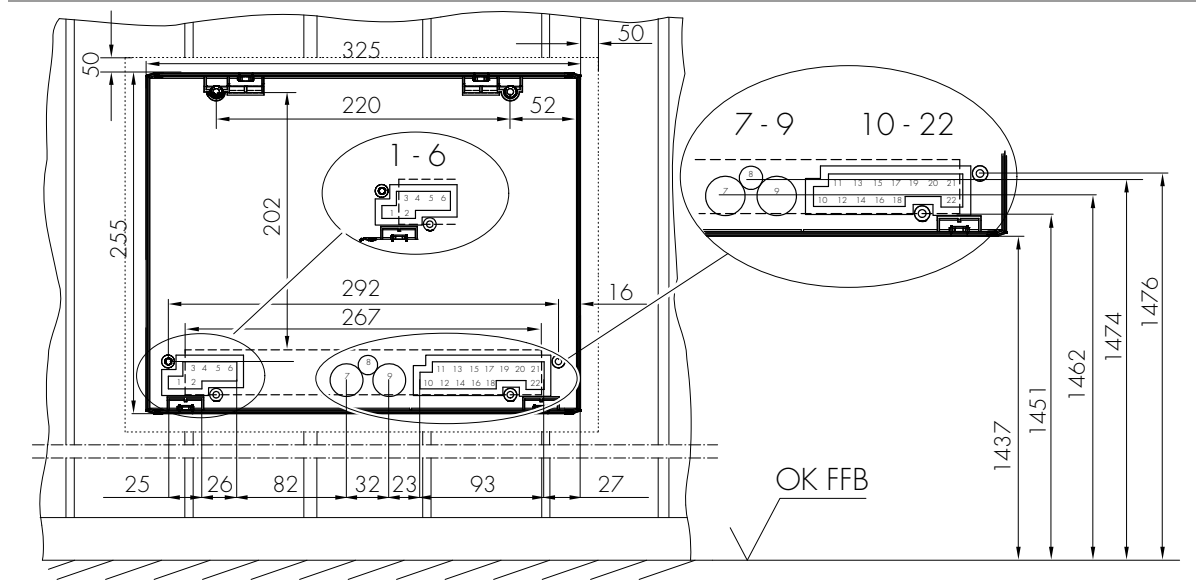
Carefully remove the cover from the controller housing. Detach the connection cable if necessary.

6.1. Assembling the controller 21029 housing

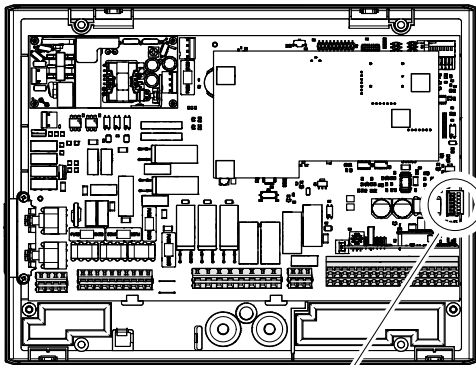
Create openings for the wires

OK FFB = upper edge of finished floor. When assembling the controller housing, leave at least a 50 mm clearance from the wall or other objects. Create openings for the wires on the wall element as shown in the diagram. Run the wires through the wall element from the rear.

1	Light/main switch	13	SUNSET
2	Feeder circuit	14	Door contact
3	Fan	15	KEYGUARD
4	Light	16	CAN
5	Outlet 2	17	Temp
6	Outlet 1	18	Temp/STL
7	Feed line	19	SCS
8	evaporator	20	Humidity sensor
9	Heater supply line	21	Interior display
10	AudioRelax system	22	Remote power-on unit
11	LED coloured light	23	Control unit
12	Dimmable ballast		

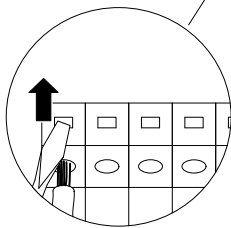


6.1. Assembling the controller 21029 housing



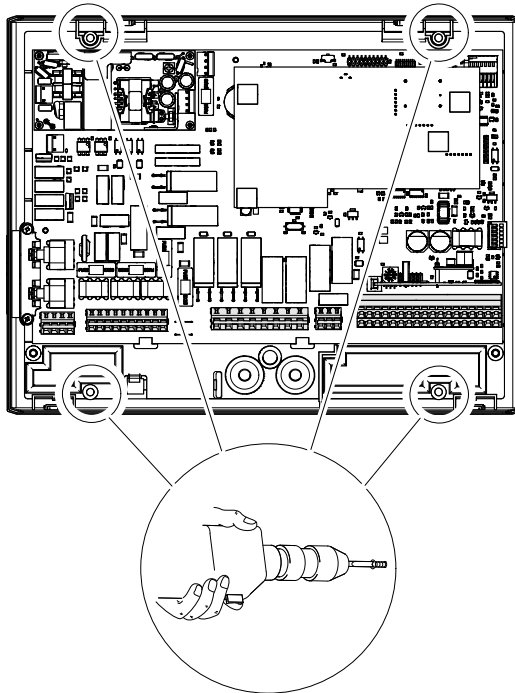
Connect wires to the plug on the remote power-on unit, FAI 4 or FAI 5 (optional)

1. Strip the wire ends by 5-6 mm.
2. Open the lock on the remote power-on unit plug using the auxiliary tool and insert the wire ends as shown in the wiring diagram.
3. Remove the auxiliary tool and check that the wires have been connected correctly.
4. Insert the plug for the remote power-on unit into the socket on the circuit board.



6.1. Assembling the controller 21029 housing

Assembling the housing lower section



1. In the correct connection sequence, run all the wires from the rear through the cable bushings into the housing lower section.
2. Fasten the housing lower section to the wall element with four countersunk-head screws (4.5 x 20 mm).
 - Do not bend the housing lower section when fastening. Check the mechanical switch function of the main switch.
 - To fix the housing lower section in place, position the centre of the housing horizontally in the middle of four panels.
 - Ensure that the fastening screws are securely attached to a panel. If necessary, align the controller housing to the left or the right.
3. Connect the controller as shown in the wiring diagram.

To ensure correct wiring, the wires must be stripped 5-6 mm.

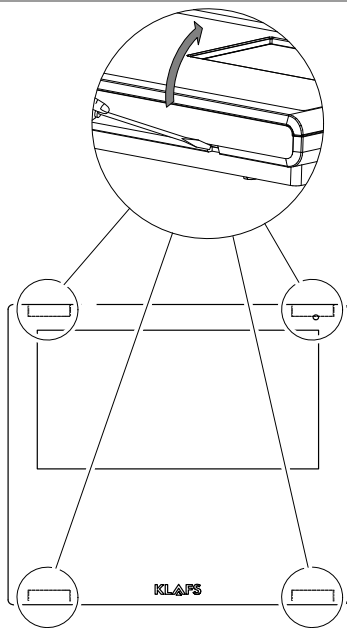
Make sure that no wires stick out.



To insert the wire ends into the clamped joint, open the lock on the clamped joint with a screwdriver.

Check that the wires have been connected correctly.

6.2. Assembling the controller 21029 T housing



Open the controller housing

1. Using a screwdriver, carefully push in and turn the four lugs one after the other as shown.
2. Once all four locks have been released, the front part can be removed.



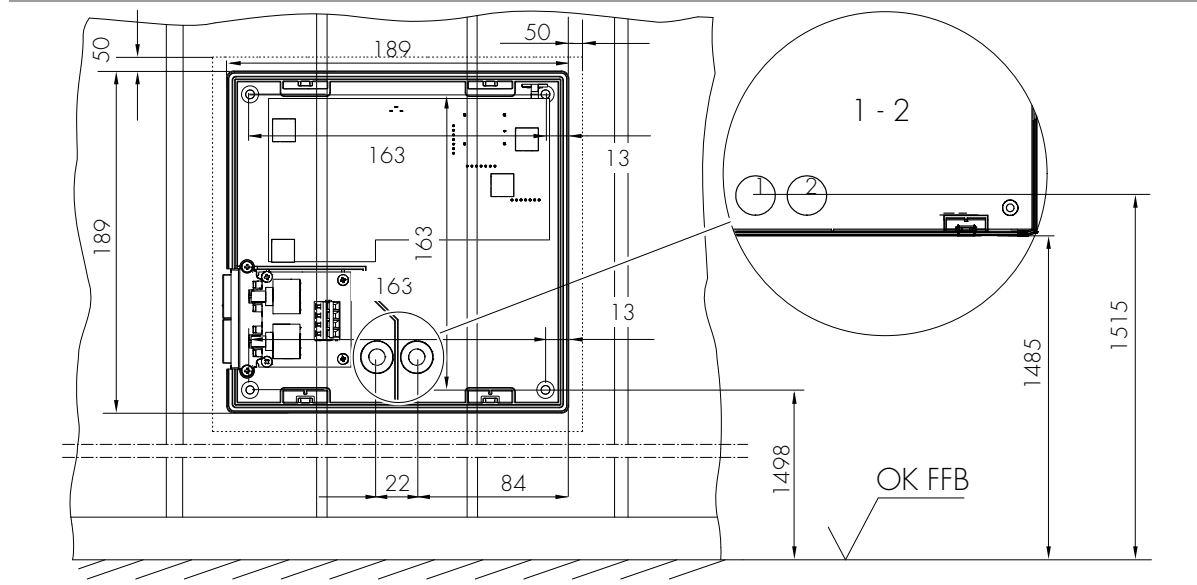
Carefully remove the cover from the controller housing. Detach the connection cable if necessary.

6.2. Assembling the controller 21029 T housing

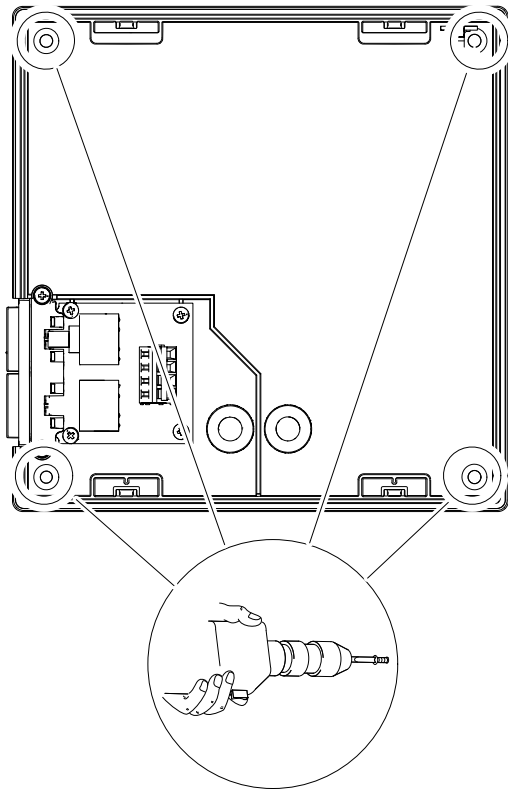
Create openings for the wires

OK FFB = upper edge of finished floor. When assembling the controller housing, leave at least a 50 mm clearance from the wall or other objects. Create openings for the wires on the wall element as shown in the diagram. Run the wires through the wall element from the rear.

1	Light/main switch	
2	Power pack data line	



6.2. Assembling the controller 21029 T housing



Assembling the housing lower section

1. In the correct connection sequence, run all the wires from the rear through the cable bushings into the housing lower section.
2. Fasten the housing lower section to the wall element with four countersunk-head screws (4.5 x 20 mm).
 - Do not bend the housing lower section when fastening. Check the mechanical switch function of the main switch.
 - To fix the housing lower section in place, position the centre of the housing horizontally in the middle of three panels.
 - Ensure that the fastening screws are securely attached to a panel. If necessary, align the controller housing to the left or the right.
3. Connect the controller as shown in the wiring diagram.

To ensure correct wiring, the wires must be stripped 5-6 mm.

Make sure that no wires stick out.



To insert the wire ends into the clamped joint, open the lock on the clamped joint with a screwdriver.

Check that the wires have been connected correctly.

6.3. Configuring the WLAN module

System settings in the 210xx controller

1. Service menu 29 - Door contact switch -> Value = 1
 - See system settings from page 27.
2. Activating the WLAN module
 - See page 34, section 9.1.

WLAN module operating instructions

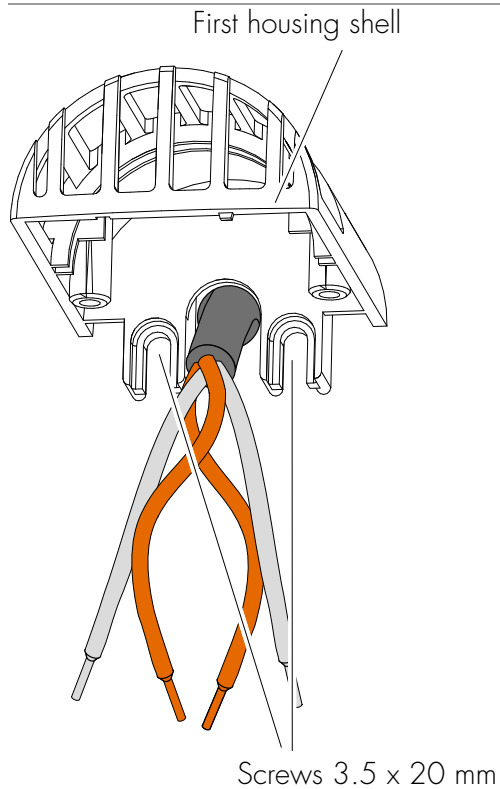
- See separate operating instructions 5060108/5060109.
-

— 90 °C

— 60 °C

— 40 °C

6.4. Installing the temperature sensors



Temp/STL

- Install the Temp/STL sensor centrally above the sauna heater.

Temp

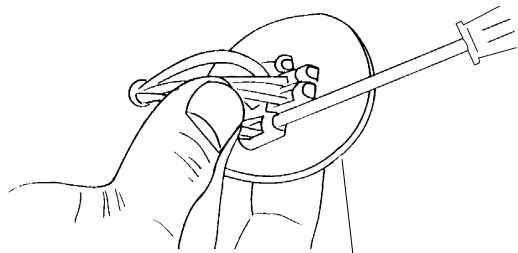
- Install the Temp sensor centrally on the cabin wall above the bench.
1. Drill the 10-mm diameter hole for running the wiring in the cabin interior as shown in the installation diagram.
 2. Run the wire.



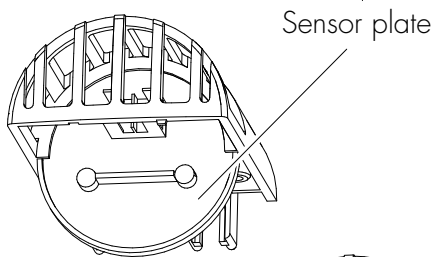
Position the vent slots vertically to fasten the housing in place.

3. Screw the first housing shell to the cabin wall.
Screws (3.5 x 20 mm).

6.4. Installing the temperature sensors

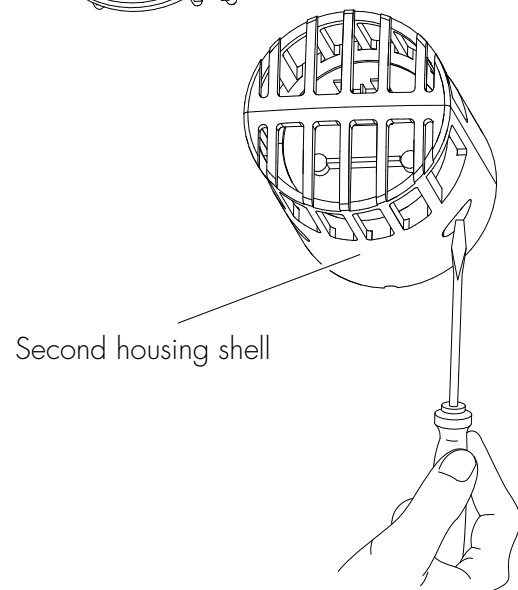


4. Connect the wire to the sensor plate as shown in the wiring diagram.
 - See installation/wiring diagram.
5. Insert the sensor plate into the first half of the housing.



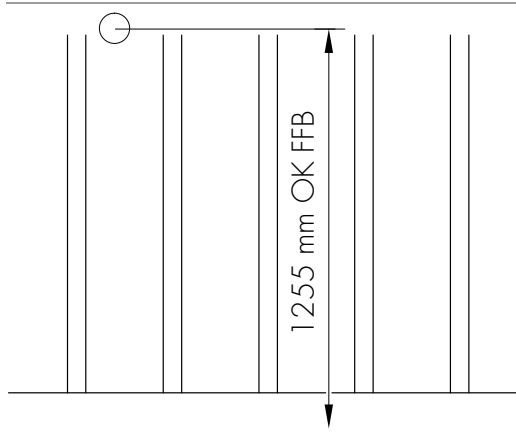
6. Screw the second housing shell to the housing shell that has already been mounted.

Screws (3 x 8 mm).

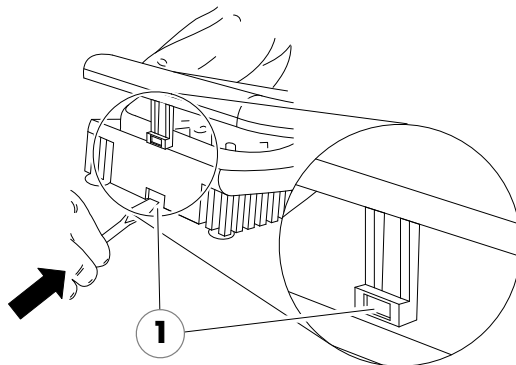


7. INSTALLING OPTIONAL ACCESSORIES

7.1. Installing the interior display with SaunaPUR button (optional)



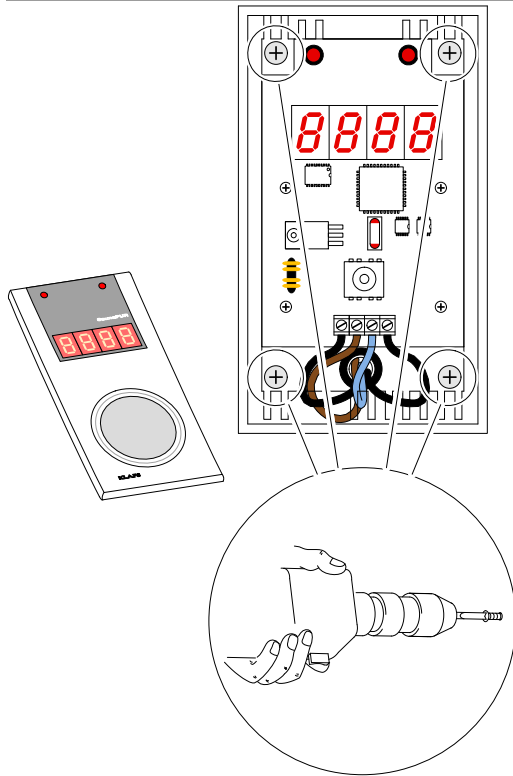
OK FFB - upper surface of floor



1. Drill a 10-mm diameter hole for running the wiring in the cabin interior as shown in the installation diagram.
2. Run the electric cable through the hole and provide with a cable bushing.

3. Press a screwdriver into the hollow (1) of the lock while simultaneously lifting the housing cover.

7.1. Installing the interior display with SaunaPUR button (optional)



4. Run the wire for the interior display with a grommet through the holes into the housing lower section.
5. Use screws (3.5 x 20 mm) to fasten the housing lower section in the fastening holes in the centre of the panel.
6. Connect the interior display with the SaunaPUR button as shown in the wiring diagram.
7. Hook the housing cover into the mounted lower section and press down until it locks in place.

7.2. Installing the remote power-on unit (optional)

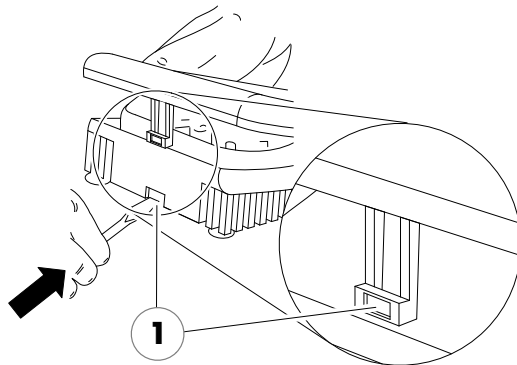


Observe standard EN 60335 when operating the controller via the remote power-on unit.

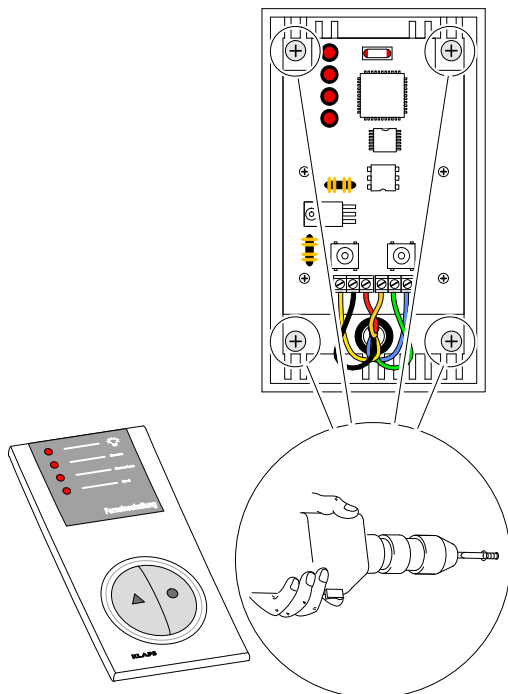
- Enable the remote power-on function in 20 KEY service menu, see system settings from page 27.



Only install the remote power-on unit in dry rooms and not inside the sauna cabin.

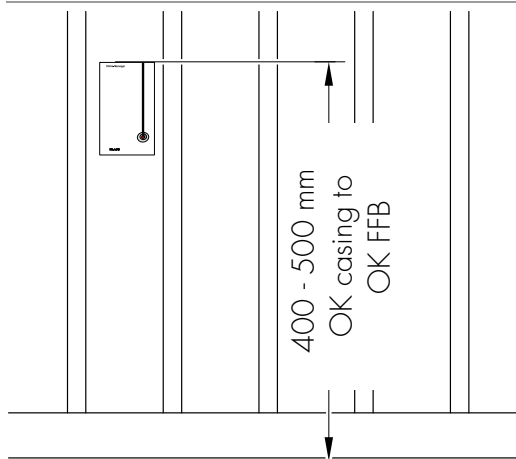


1. Run the wire between the remote power-on unit and the controller.
2. Press a screwdriver into the hollow (1) of the lock while simultaneously lifting the housing cover.

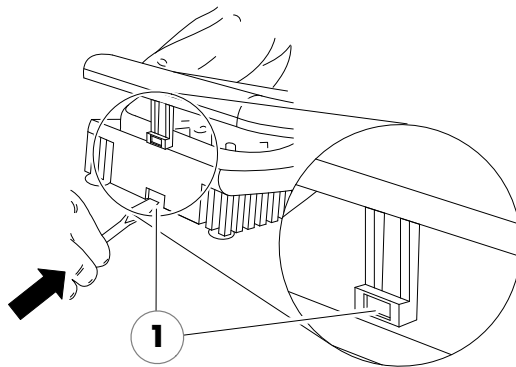


3. Run the wire for the remote power-on unit with a grommet through the holes into the housing lower section.
4. Fasten the housing lower section in the fastening holes with screws (3.5 x 20 mm) or with dowels.
5. Connect the remote power-on unit as shown in the wiring diagram.
6. Hook the housing cover into the housing lower section that has been mounted and press down until it locks into place.

7.3. Installing the Climate Manager

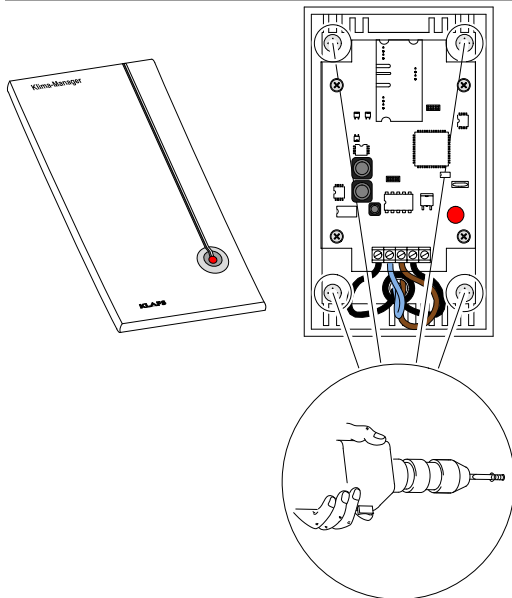


OK FFB - upper surface of floor



- Install the Climate Manager near the exhaust air duct.
1. Drill a 10-mm diameter hole for running the wiring in the cabin interior as shown in the installation diagram.
 2. Run the electric cable through the hole and provide with a cable bushing.
 3. Press a screwdriver into the hollow (1) of the lock while simultaneously lifting the housing cover.

7.3. Installing the Climate Manager



4. Run the wire for the Climate Manager with a grommet through the holes into the housing lower section.
5. Use screws (3.5 x 20 mm) to fasten the housing lower section in the fastening holes in the centre of the panel.
6. Connect the Climate Manager as shown in the wiring diagram.
7. Hook the housing cover into the mounted lower section and press down until it locks in place.

— 90 °C

— 60 °C

— 40 °C

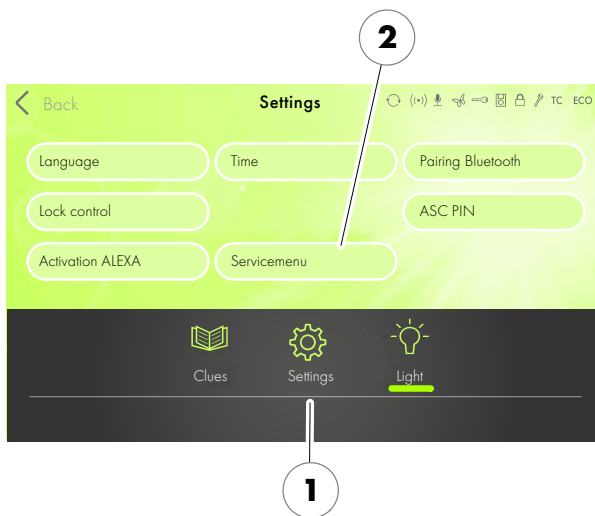
8. SYSTEM SETTINGS

8.1. Service menu (01) - CODE, code number



Requirement:

The controller must be switched on and in standby mode. There should be no programs running.



Call up the service menu

1. Press the "Settings" symbol (1).
2. Touch the "Servicemenu" line (2).

Übersicht / Overview							
Produkt	21033	LT	SerNo	18/05/00123	Datum	23/07/2018	rel
Version	BT	0.04.08	LT	09.92	Uhrzeit	18:10	
Freq.	0						
[03]PUR	2	[04]C	125/175	[05]Dauer	1	[06]OfsFau	-8
[08]IT	0	[09]Musik	0	[18]Temp	0	[19]Abluft	0
[21]Green	0	[24]SchfCli	0	[29]Tur	0	[33]Turbo	0
[45]Licht Kabine							
[46]Beleuchtung 1		RGB/RS485B/est					
[47]Beleuchtung 2		LiftLight/CAN/AG2					
[51]JAG1	7	[52]AG2	6				
[91]CANID	12345	[92]CANGR	1				
Betriebsdaten							
Netz	Sauna	Sanar.	IR+	Ofen	VD	Klima	
Letzte Fehler				00/00/00/00/00	Abgebr.	Trockn.	0
Zurück / back	Ereignisse Event	Service Englisch	Service Deutsch				

The "Übersicht/Overview" dialogue appears.

- The service menu is available in two languages.
3. Press the button (3) for your preferred language.

8.1. Service menu (01) - CODE, code number

enter service password

enter PIN	1	2	3
	4	5	6
	7	8	9
	-	0	<<
EVENT-LOG			OK

4 **5**

The enter service password dialogue appears.

- To call up the service menu, enter code number 7452 (4) using the number pad.
4. Confirm by pressing "OK" (5).

service-functions from [03] to [12]

[03] Sauna PUR <2>	[04] Humidity sensor <125/175>	[05] Bathing time <1>
[06] humidity offset <8>	[07] temperature offset <4>	[08] power unit <0>
[09] internal music <0>	[11] clear error memory	[12] clear recorded data
Back		>>>

6 **7**

Upon entering the correct four-digit code, a selection area of the service menu will appear.

5. Call up a service menu, e.g. humidity offset by pressing the button (6).
- Call up the next page in the service menu by pressing the button (7).
 - For the service menu, see the service menu table on page 27.

Exit the service menu.

Select the last service menu (END) and exit by pressing the OK symbol.



The controller automatically exits the service menu and switches to standby mode after more than 60 seconds of non-use.

Changes within a service menu that were not previously confirmed by pressing OK will not be applied.

8.2. Service menus



Service menus marked with an asterisk * are not functional on the 21029 sauna controller (changing these values will not have any effect on operation).

No.	Menu	Input
03	SaunaPUR	0 = Disable SaunaPUR, 1 = Enable SaunaPUR FAI 3, 2 = Enable SaunaPUR FAI 4/FAI 5 3 = Gas sauna heater control algorithm
04)*	Humidity sensor	C0/C1
05	Bathing time	01 hr, 03 hr, 04 hr, 06 hr, 12 hr, 18 hr
06)*	Humidity offset	$\pm 10 \text{ g/m}^3$
07	Temperature offset	$\pm 5 \text{ }^\circ\text{C}$ (limiter) <ul style="list-style-type: none"> When using an under-bench heater, set the temperature offset to $+5 \text{ }^\circ\text{C}$.
08	Output detection	0 = not activated / 1 = activated $60 \text{ }^\circ\text{C}$ / 2 = activated $75 \text{ }^\circ\text{C}$)*
09	Music	0 = Automatic music / 1 = Music off / 2 = Music on
11	Clear fault	0 = Do not clear fault / 1 = Clear fault
12	Clear operating data	0 = Do not clear operating data, 1 = Clear operating data
17	Preset time mode	0 = Preset time mode off, 1 = Preset time mode on
18	Cabin temperature	0 = $100 \text{ }^\circ\text{C}$ / $40 \text{ }^\circ\text{C}$ not activated, 1 = $100 \text{ }^\circ\text{C}$ / $52 \text{ }^\circ\text{C}$ activated, 2 = $110 \text{ }^\circ\text{C}$ / $40 \text{ }^\circ\text{C}$ not activated, 3 = $110 \text{ }^\circ\text{C}$ / $52 \text{ }^\circ\text{C}$ activated
19	Exhaust air	0 = electric cover flap, 2 = fan ignition angle $-50 \mu\text{s}$, 3 = fan ignition angle $-25 \mu\text{s}$, 4 = fan ignition angle $+25 \mu\text{s}$, 5 = fan ignition angle $+50 \mu\text{s}$
20	KEYGUARD	0 = Disabled, 1 = Enabled, 2 = Door contact, 3 = CBC/remote without key switch
21	Green Sauna	0 = disable, 1 = enabled, 2 = Green Sauna with fan run-on, 3 = Green Sauna without buttons, 4 = Green Sauna without buttons with fan run-on
23	Fill the scent line	0 = Do not fill the scent line, 1 = Fill the scent line

8.2. Service menus



Service menus marked with an asterisk * are not functional on the 21029 sauna controller (changing these values will not have any effect on operation).

No.	Menu	Input
24	Select bathing mode	0 = Automatic - sauna or sauna and SANARIUM 1 = Sauna and Softclima
25	Touchscreen lock	0 = Touchscreen lock not activated 1 = Touchscreen lock activated
28	Subsequent drying with IR seat	0 = Subsequent drying with IR seat not activated (default) 1 = Subsequent drying with IR seat activated
29	Door contact switch	0 = No door contact switch in cabin, (default) 1 = Door contact switch in cabin 2 = Remote switch-on via the app, without a door contact switch
31	Backlighting time	Time before the backlighting dims automatically. Default = 5 minutes Setting range without dimming, 1, 5, 10, 30
32	Backlighting	Brightness settings of backlighting when dimmed. Default = 25% Can be set between 15% and 75% to the nearest 10%
33	Algorithm	0 = Standard algorithm 1 = Turboheat algorithm

— 90 °C

— 60 °C

— 40 °C

8.2. Service menus



Service menus marked with an asterisk * are not functional on the 21029 sauna controller (changing these values will not have any effect on operation).

No.	Menu	Input
34	Setting the sauna heater type	<p>Setting the sauna heater type for monitoring the heatup phase for remote start or preset time mode.</p> <p>0 Increase of 5 Kelvin within 3 minutes (default), Sauna heaters: Majus/SANARIUM M 6 - 12 kW, Pluris/Pluris Softclima 4.5 - 9 kW, Trumpf 3 - 9 kW, Softclima 3 - 7.5 kW, BONATHERM VS 6 - 12 kW, BONATHERM 6 - 15 kW, B 6 - 12 kW, SANARIUM B 6 - 12 kW, Fero/Fero S 4.5 - 12 kW</p> <p>1 Increase of 5 Kelvin within 2 minutes, Sauna heaters: Majus 16 - 30 kW, Pluris Softclima 12 kW, Softclima 9 kW</p> <p>2 Increase of 5 Kelvin within 5 minutes, Sauna heaters: Pluris Softclima 3 kW, Fero/Fero S 3 - 3.3 kW</p> <p>3 Not used</p> <p>4 Not used</p> <p>5 Individual heatup curve. Calibration via service menu 35, see page 33.</p>

— 90 °C

— 60 °C

— 40 °C

8.2. Service menus



Service menus marked with an asterisk * are not functional on the 21029 sauna controller (changing these values will not have any effect on operation).

No.	Menu	Input		
35	Calibrate safety module	Calibrating the heat-up phase for switching on via remote start, preset time mode or the app. <ul style="list-style-type: none"> Only carry out this process when the cabin and the sauna heater are cold. Otherwise, the measured values will be distorted and the monitoring will not work correctly during operation. Carry out the calibration process, see page 33. 		
36	Activate CM CO ₂	Climate Manager 0 off 1 on		
37	max. fan speed	Set the maximum fan speed. Default = 10 Can be set between 0 and 10.		
38	lower CO ₂ limit	Control start of Climate Manager offset. Default = 1 Can be set between 0 and 20 (20 equals 2000 ppm).		
39	upper CO ₂ limit	Climate Manager maximum possible CO ₂ value. Default = 20 Can be set between 8 and 50 (50 equals 5000 ppm).		
40	Several synchronised coloured lights	0 off 1 on		
45	Select 230 V cabin lighting	0-10 V Ext	0-10 V AG1	0-10 V AG2
		Standard 0-10 at light output	on/off light output	on/off AG1
		on/off AG2		
46	Select SUNSET	Sunset 0-10 V ext	Sunset 0-10 V AG1	Sunset 0-10 V AG2
		Sunset RGB ext	Sunset RGB AG1	Sunset RGB AG2
		PWM on <L+ L->	on/off AG1	on/off AG2
		none		

8.2. Service menus



Service menus marked with an asterisk * are not functional on the 21029 sauna controller (changing these values will not have any effect on operation).

No.	Menu	Input		
47	Select coloured light	LED coloured light ext	LED coloured light AG1	LED coloured light AG2
		LED coloured light Liflight ext	LED coloured light Liflight AG1	LED coloured light Liflight AG2
		LED coloured light Liflight ext (CAN)	LED coloured light Liflight AG1 (CAN)	LED coloured light Liflight AG2 (CAN)
		on/off AG1	on/off AG2	none
51	Select function AG1	0 none	1 InfraPLUS	2 Reading light
		3 Aquaviva	4 Starry Sky	5 Scent pump
		6 Main switch on (incl. lighting)	7 Bathing program active	8 Ready to use
		9 if a fault occurs	10 Infusion system	
52	Select function AG2	0 none	1 InfraPLUS	2 Reading light
		3 Aquaviva	4 Starry Sky	5 Scent pump
		6 Main switch on (incl. lighting)	7 Bathing program active	8 Ready to use
		9 if a fault occurs	10 Infusion system	
90	Enter date	Fault logging		
91	Enter CAN-ID	Optional when using in an existing system		
92	Enter CAN group	Optional when using in an existing system		

— 90 °C

— 60 °C

— 40 °C

8.3. Service menu 34 - SM_I: Setting the sauna heater type

Call up the service menu

- See page 25.
- Setting the sauna heater type for monitoring the heat-up phase for remote start, preset time mode or the app.

Input:

0 = Increase of 5 Kelvin within 3 minutes (default), Majus/SANARIUM M 6 - 12 kW, Pluris/Pluris Softclima 4.5 - 9 kW, Trumpf 3 - 9 kW, Softclima 3 - 7.5 kW, Bonatherm VS 6 - 12 kW, BONATHERM 6 - 15 kW, SANARIUM B 6 - 12 kW, Fero/Fero S 4,5 - 12 kW sauna heaters	1 = Increase of 5 Kelvin within 2 minutes, Majus sauna heaters 16-30 kW, Pluris Softclima 12 kW, Softclima 9 kW
2 = Increase of 5 Kelvin within 5 minutes, Pluris Softclima sauna heater 3 kW	3 = Not used
4 = Not used	5 = Individual heat-up curve. Calibration via service menu point 35, see page 33.

— 90 °C

— 60 °C

— 40 °C

8.4. Service menu 35 - SM_P: Calibrating the heat-up phase

Calibrating the heat-up phase for switching on via remote start, preset time mode or the app.

- Prerequisites:
Only carry out this process when the cabin and the sauna heater are cold.
Otherwise, the measured values will be distorted and the monitoring will not work correctly during operation.
 - 1. Select menu 35.
 - The calibration process is started until a difference of 5 Kelvin is reached.
 - If a difference of 5 Kelvin is reached, the measured time (e.g. 240 seconds) remains the same.
-> Display of temperature 5.0 (Kelvin) and 240 (seconds).
 - 2. Press OK to confirm the displayed values.
 - 3. Select the END menu and press OK to confirm.
-

— 90 °C

— 60 °C

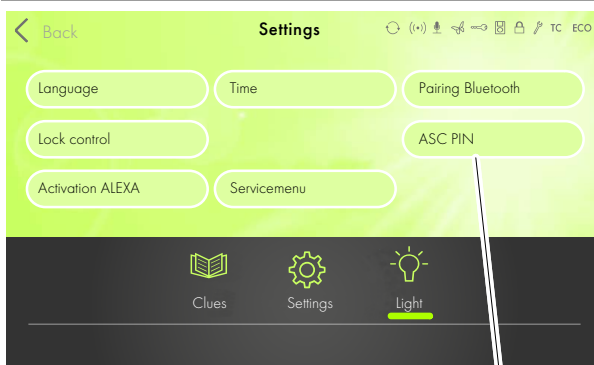
— 40 °C

9. WLAN MODULE

9.1. Activating the WLAN module



Requirement:
The WLAN module must be integrated into the controller.

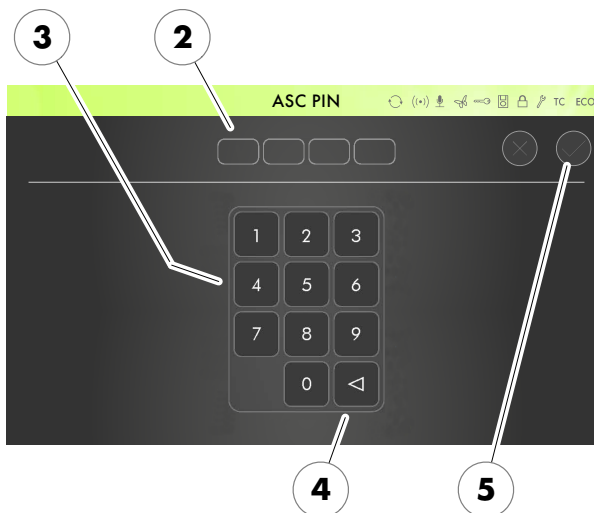


PIN = 1111

- WLAN module not activated.

PIN = 2222

- WLAN module activated.
- The WLAN module in the controller provides a wireless ad-hoc network for completing the configuration process.

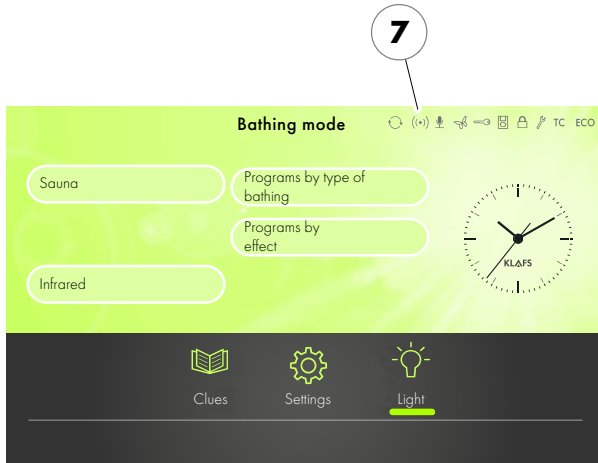
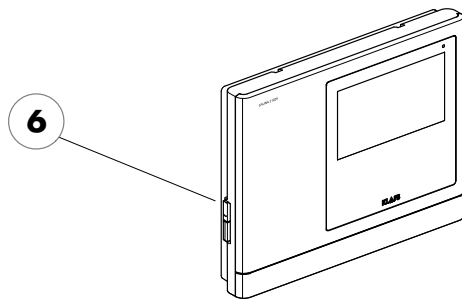


1. Press the ASC PIN (1) line.

The first digit in the PIN entry (2) flashes.

- The default PIN for testing the WLAN function is "2222".
2. Enter the PIN using the number pad (3).
 - Press button (4) to delete a number if you enter the wrong one.
 3. Confirm the PIN you entered by pressing the tick symbol (5).
 4. The menu is closed.

9.1. Activating the WLAN module



5. Switch the controller off and then on again at the main switch (6).

6. The WLAN module in the controller will be activated after you have switched the controller on.

- The activation process takes approximately 30 seconds and is indicated by the WLAN symbol (7) flashing.

7. Once the activation process is complete, the WLAN symbol (7) stops flashing and remains lit. The WLAN module is then ready to use.

NOTES

— 90 °C

— 60 °C

— 40 °C

Manuel d'utilisation

KLAFS SaunaPUR à commande type 21029

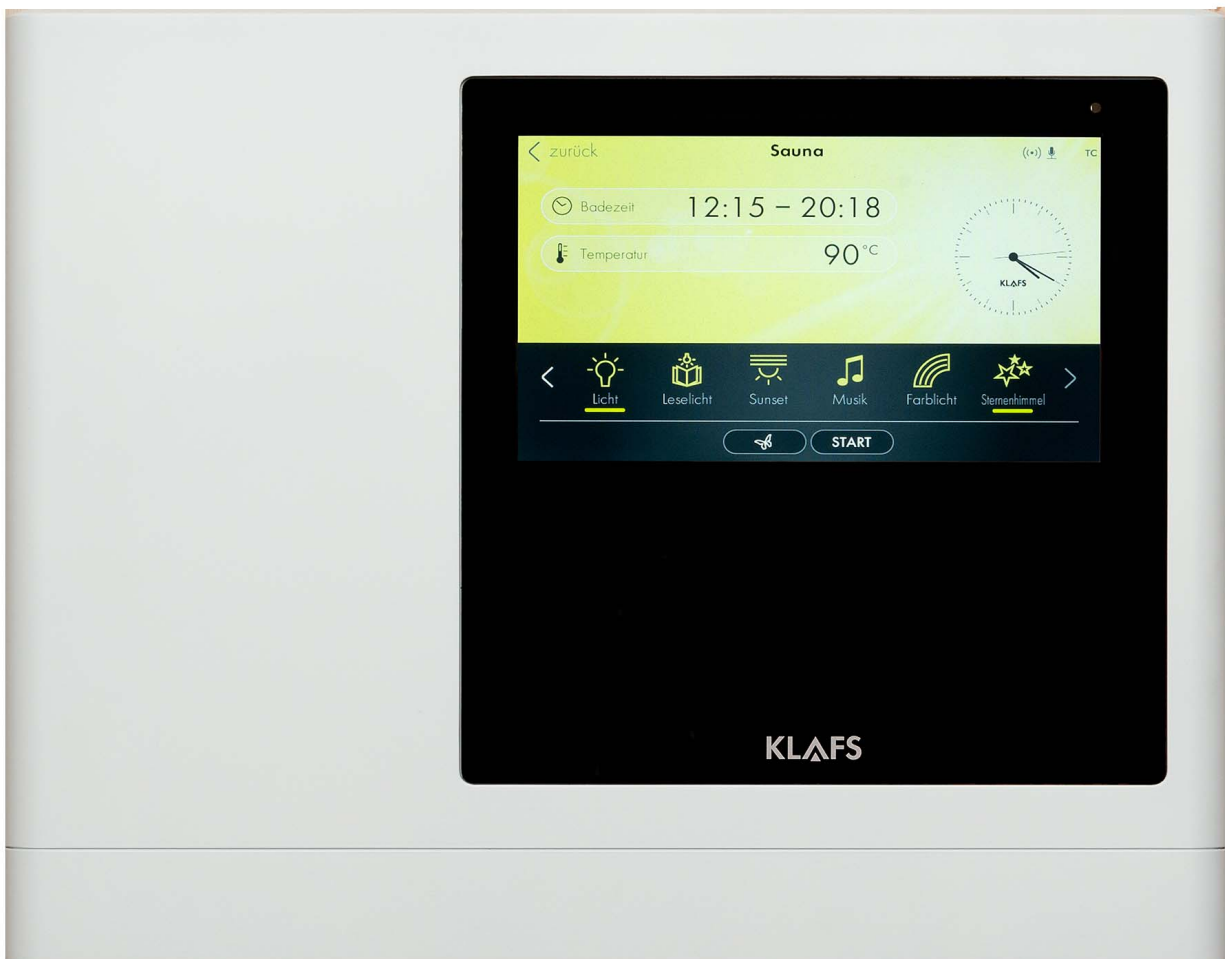


TABLE DES MATIÈRES

	1. Utilisation conforme aux dispositions	39
	2. Consignes générales de sécurité	40
	3. Caractéristiques techniques	41
	4. Commande	42
	4.1. Éléments de commande et d'affichage de la commande	42
	5. Contenu de la livraison commande SANARIUM	43
— 90 °C	5.1. Contenu de livraison de la commande 21029	43
	5.2. Contenu de livraison de la commande 21029 T	43
	6. Montage de la commande	44
	6.1. Monter le boîtier de la commande 21029	44
	6.2. Monter le boîtier de la commande 21029 T	48
	6.3. Configurer le module WIFI	51
— 60 °C	6.4. Monter les capteurs de température	52
	7. Monter les accessoires spéciaux	54
	7.1. Monter l'affichage intérieur avec le bouton SaunaPUR (option)	54
	7.2. Monter la télécommande (option)	56
	7.3. Monter le gestionnaire d'ambiance	57
	8. Réglages du système	59
	8.1. Menu de service (01) - CODE, numéro de code	59
	8.2. Menus de service	61
	8.3. Menu de service 34 - SM_I, régler le type de poêle	66
— 40 °C	8.4. Menu de service 35 - SM_P, réglage de phase de chauffe	67
	9. Module WLAN	68
	9.1. Activer le module WLAN	68

1. UTILISATION CONFORME AUX DISPOSITIONS

La commande est destinée aux appareils de chauffage contrôlés et autorisés par VDE (Fédération allemande des industries de l'électrotechnique, de l'électronique et de l'ingénierie de l'information) ou par TÜV (Association allemande de contrôle technique) :

- Poêle de sauna
- InfraPLUS (option).

La commande est destinée uniquement à l'usage prévu. Il suppose aussi que les consignes figurant dans les instructions de fonctionnement, de montage et de service sont respectées. En cas d'utilisation non conforme ou de transformations arbitraires de la commande, le fabricant n'est pas responsable des dommages qui s'ensuivent. L'utilisateur supporte à lui seul les risques. La commande peut être utilisée et entretenue uniquement par des personnes familiarisées avec ces tâches et instruites des dangers. Respecter les directives VDE pertinentes (VDE Fédération allemande des industries de l'électrotechnique, de l'électronique et de l'ingénierie de l'information), ainsi que toutes les autres règles techniques de sécurité généralement reconnues.

— 90 °C

— 60 °C

— 40 °C

2. CONSIGNES GÉNÉRALES DE SÉCURITÉ

Avant la mise en service, lire et tenir compte du manuel d'utilisation et des consignes de sécurité.

- Monter la commande de sauna uniquement à l'extérieur de la cabine de sauna.
- Débrancher la commande du secteur avant l'ouverture du boîtier de commande.
- La commande peut être raccordée au secteur uniquement par un électricien qualifié agréé.
- Relier les installations de sauna au secteur uniquement par une prise fixe suivant les prescriptions VDE. Utiliser un interrupteur protecteur $I_{\Delta N} \leq 0,03$ A avec au moins 3 mm d'ouverture de contact.
- En cas de pannes, prendre contact avec le service après-vente de la société KLAFS.
- Téléexploitation (télécommande) : réglage, commande et/ou mise au point d'une commande par un ordre ou au lieu de montage de la commande effectué alors que le poêle de sauna n'est pas dans le champ visuel de l'acteur. La téléexploitation (la télécommande) doit être utilisé(e) uniquement avec l'interrupteur de contact de sécurité (SKS) ou le poêle à monter sous le banc Bonatherm.
- N'utiliser que des pièces de rechange KLAFS d'origine.
- Toute modification arbitraire de la commande est interdite.
- Exécuter le montage de la commande selon les instructions de montage.
- Les câbles électriques à l'intérieur de la cabine et des parois doivent être isolés au silicone.
- Avant de mettre la commande en service, toujours s'assurer qu'aucun objet inflammable ne se trouve à proximité du poêle de sauna et de la lampe infrarouge dans la cabine. RISQUE D'INCENDIE
- L'espace de sauna doit être inspecté avant la remise en marche de la minuterie ou la mise en marche de l'appareil par un système de télécommande distinct.
- Cet appareil peut être utilisé par des enfants dès l'âge de 8 ans, ainsi que par les personnes dont les fonctions physiques, sensorielles ou mentales sont diminuées ou celles qui manquent d'expériences et de connaissances à condition qu'ils soient surveillés ou qu'ils aient reçu les instructions sur la sécurité de fonctionnement de l'appareil et qu'ils comprennent les risques en résultant. Les enfants ne doivent pas jouer avec l'appareil. Le nettoyage et l'entretien par l'utilisateur ne doivent pas être effectués par des enfants sans surveillance.

3. CARACTÉRISTIQUES TECHNIQUES

Commande

Type de commande 21029, 21029 T : 3/N/PE 400 V - 50/60 Hz, max. 9 kW.

Dimensions : larg. = 325 mm, haut. = 255 mm, prof. = 50 mm.

Conditions ambiantes : température 0 °C à 40 °C, humidité atmosphérique 80 % max. hum. rel.

InfraPLUS

1/N/PE 230 V - 50/60 Hz, env. 400 W.

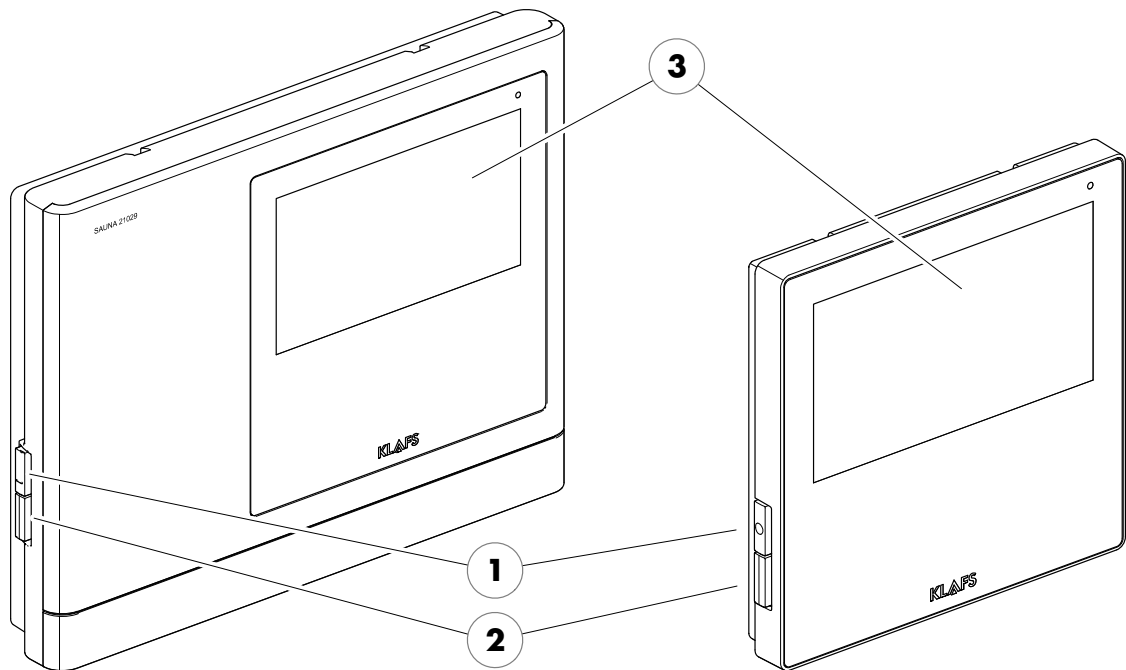
— 90 °C

— 60 °C

— 40 °C

4. COMMANDE

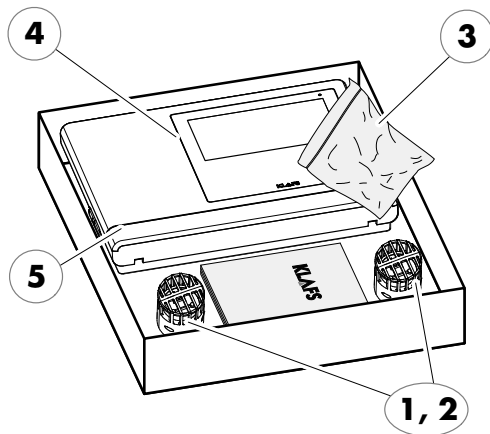
4.1. Éléments de commande et d'affichage de la commande



Pos.	Désignation
1.	<p>Interrupteur principal de commande.</p> <ul style="list-style-type: none"> ● L'interrupteur principal interrompt la tension du secteur vers la commande. ● En cas de panne de courant, l'horloge interne dispose d'une réserve de marche de quelques mois.
2.	<p>Interrupteur Éclairage de cabine.</p> <ul style="list-style-type: none"> ● Quand la commande est branchée sur le secteur, l'éclairage de la cabine peut être allumé indépendamment de l'interrupteur principal.
3.	<p>Écran tactile.</p> <ul style="list-style-type: none"> ● Voir manuel d'utilisation de la commande.

5. CONTENU DE LA LIVRAISON COMMANDE SANARIUM

5.1. Contenu de livraison de la commande 21029

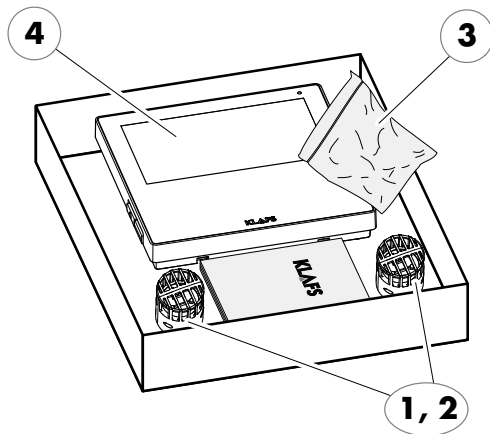


La livraison comprend les composants suivants :

1. 1 capteur de température Temp
2. 1 capteur de température Temp/limiteur de température de sécurité
3. 1 sachet de pièces de fixation
4. 1 commande de sauna 21029

Documentation technique.

5.2. Contenu de livraison de la commande 21029 T



La livraison comprend les composants suivants :

1. 1 capteur de température Temp
2. 1 capteur de température Temp/limiteur de température de sécurité
3. 1 sachet de pièces de fixation
4. 1 commande de sauna 21029 T
5. 1 baie de commande

Documentation technique.

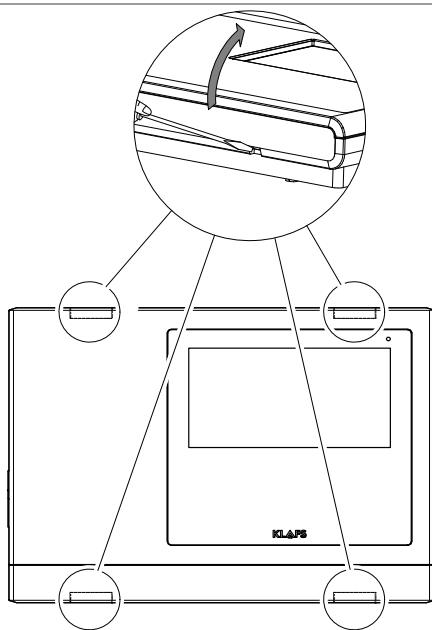
— 90 °C

— 60 °C

— 40 °C

6. MONTAGE DE LA COMMANDE

6.1. Monter le boîtier de la commande 21029



Ouvrir le boîtier de commande

1. Aux quatre endroits représentés sur l'illustration, avec un tournevis enfoncer les ergots l'un après l'autre avec précaution et tourner.
2. Quand les quatre arrêts sont déverrouillés, la partie avant peut être retirée.



Retirer le couvercle du boîtier de la commande avec précaution. Le cas échéant déconnecter la conduite de raccordement.

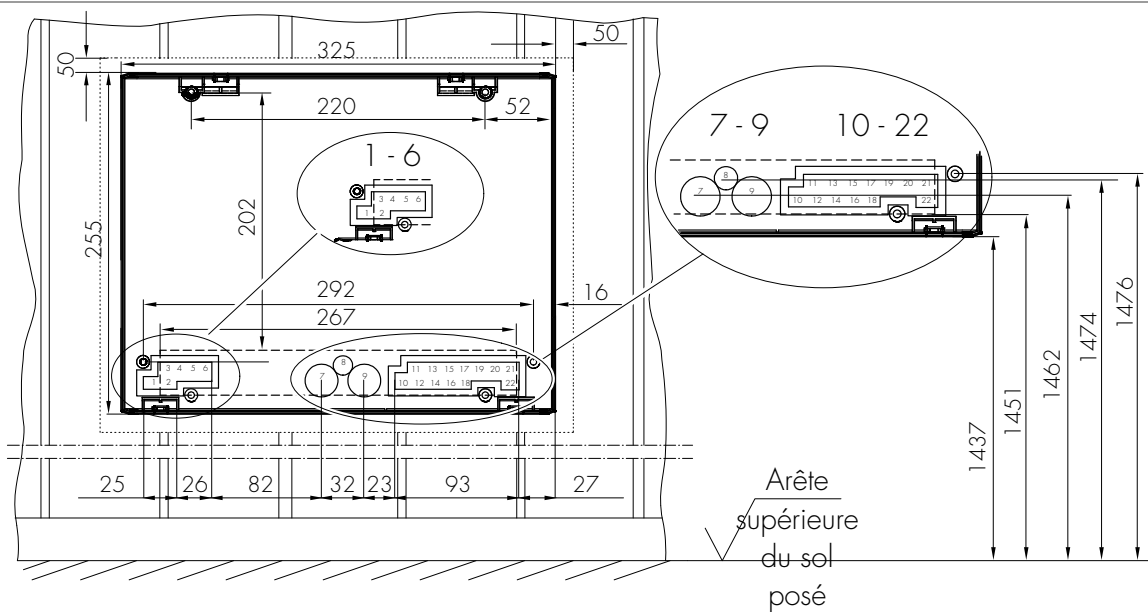
6.1. Monter le boîtier de la commande 21029

Percer les passages pour les câbles électriques

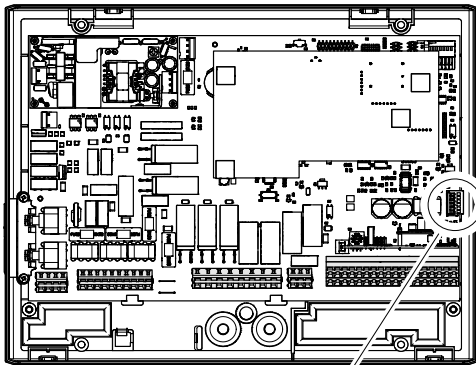
OK FFB = arête supérieure du sol posé. Lors du montage, poser le boîtier de la commande de façon à ce qu'il y ait tout autour un écart de 50 mm avec les autres appareils ou le mur.

Pratiquer des passages pour les câbles électriques dans l'élément mural selon le croquis illustré. Faire passer les câbles électriques dans l'élément mural par l'arrière.

1	Éclairage/interrupteur principal	13	SUNSET
2	Circuit secondaire	14	Contact de porte
3	Ventilateur	15	KEYGUARD
4	Éclairage	16	CAN
5	Sortie 2	17	Temp
6	Sortie 1	18	Temp/limiteur de température de sécurité
7	Fil d'entrée	19	Interrupteur de contact de sécurité
8	Diffuseur	20	Capteur d'humidité
9	Câble de raccordement du poêle	21	Affichage intérieur
10	AudioRelaxSystem	22	Télécommande
11	LED lumière colorée	23	Module
12	Ballast à intensité variable		

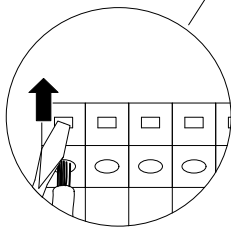


6.1. Monter le boîtier de la commande 21029



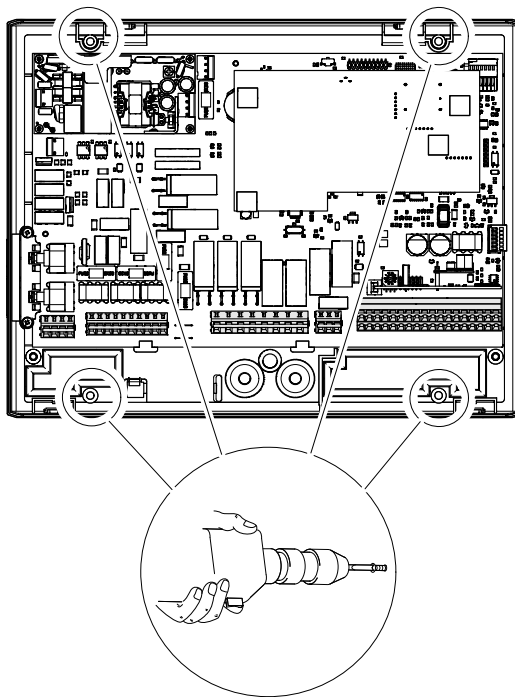
Brancher le câble à la fiche de la télécommande, FAI 4 ou FAI 5 (option)

1. Dénuder les extrémités des brins sur 5 à 6 mm.
2. Ouvrir le verrouillage sur la cosse de la télécommande à l'aide d'un outil et introduire les extrémités des brins suivant le plan de connexion.
3. Retirer l'outil et vérifier si le raccordement est correct.
4. Brancher la cosse de la télécommande à la prise femelle sur la platine.



6.1. Monter le boîtier de la commande 21029

Monter la partie inférieure du logement



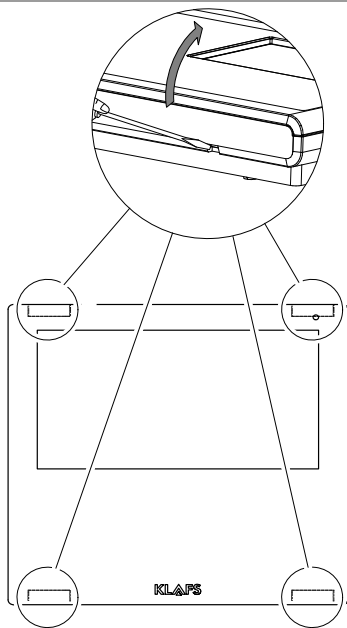
1. Par l'arrière introduire toutes les conduites électriques dans l'ordre de raccordement en les faisant passer dans les passages de câble jusqu'à la partie inférieure du boîtier.
2. Visser à la paroi la partie inférieure du boîtier à l'aide de quatre vis à tête conique (4,5 x 20 mm).
 - Au vissage ne pas déformer la partie inférieure du boîtier. Vérifier le fonctionnement mécanique de commutation de l'interrupteur principal.
 - Pour fixer la partie inférieure du boîtier, aligner le milieu du boîtier horizontalement au centre des quatre planches.
 - S'assurer que les vis de fixation mordent bien dans la planche. Le cas échéant, ajuster le boîtier de commande vers la gauche/la droite.
3. Raccorder la commande selon le schéma de connexions.

Afin de garantir un câblage correct, les brins doivent être dénudés sur 5 à 6 mm. Veiller à ce qu'aucun fil ne dépasse.



Pour introduire les extrémités des brins dans l'élément de serrage, ouvrir le verrouillage de l'élément de serrage avec un tournevis. Vérifier que le câble est correctement connecté.

6.2. Monter le boîtier de la commande 21029 T



Ouvrir le boîtier de commande

1. Aux quatre endroits représentés sur l'illustration, avec un tournevis enfoncer les ergots l'un après l'autre avec précaution et tourner.
2. Quand les quatre arrêts sont déverrouillés, la partie avant peut être retirée.



Retirer le couvercle du boîtier de la commande avec précaution. Le cas échéant déconnecter la conduite de raccordement.

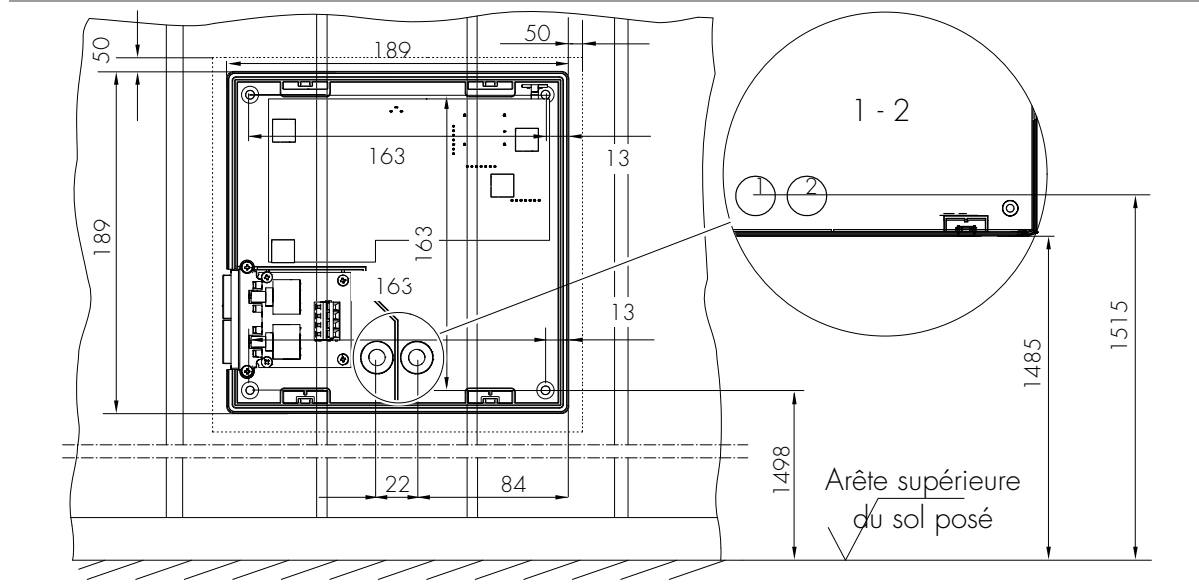
6.2. Monter le boîtier de la commande 21029 T

Percer les passages pour les câbles électriques

OK FFB = arête supérieure du sol posé. Lors du montage, poser le boîtier de la commande de façon à ce qu'il y ait tout autour un écart de 50 mm avec les autres appareils ou le mur.

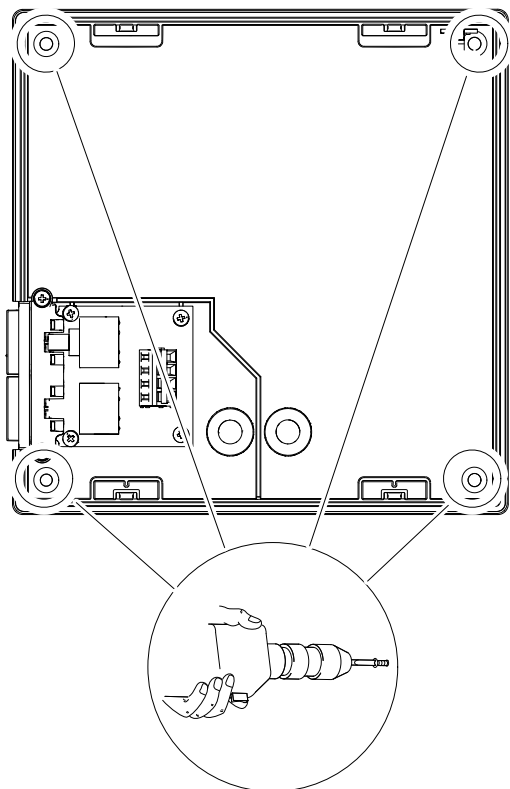
Pratiquer des passages pour les câbles électriques dans l'élément mural selon le croquis illustré. Faire passer les câbles électriques dans l'élément mural par l'arrière.

1	Éclairage/interrupteur principal
2	Ligne de données de baie de commande



6.2. Monter le boîtier de la commande 21029 T

Monter la partie inférieure du logement



1. Par l'arrière introduire toutes les conduites électriques dans l'ordre de raccordement en les faisant passer dans les passages de câble jusqu'à la partie inférieure du boîtier.
2. Visser à la paroi la partie inférieure du boîtier à l'aide de quatre vis à tête conique (4,5 x 20 mm).
 - Au vissage ne pas déformer la partie inférieure du boîtier. Vérifier le fonctionnement mécanique de commutation de l'interrupteur principal.
 - Pour fixer la partie inférieure du boîtier, aligner le milieu du boîtier horizontalement au centre des trois planches.
 - S'assurer que les vis de fixation mordent bien dans la planche. Le cas échéant, ajuster le boîtier de commande vers la gauche/la droite.
3. Raccorder la commande selon le schéma de connexions.

Afin de garantir un câblage correct, les brins doivent être dénudés sur 5 à 6 mm. Veiller à ce qu'aucun fil ne dépasse.



Pour introduire les extrémités des brins dans l'élément de serrage, ouvrir le verrouillage de l'élément de serrage avec un tournevis. Vérifier que le câble est correctement connecté.

6.3. Configurer le module WIFI

Réglage système dans la commande 210xx

1. Menu de service 29 - Interrupteur de contact de porte -> valeur numérique = 1
 - Voir Réglages du système à partir de page 61.
2. Activer le module WIFI
 - Voir page 68, chapitre 9.1.

Notice d'utilisation du module WIFI

- Voir Manuel d'utilisation séparé 5060108/5060109.
-

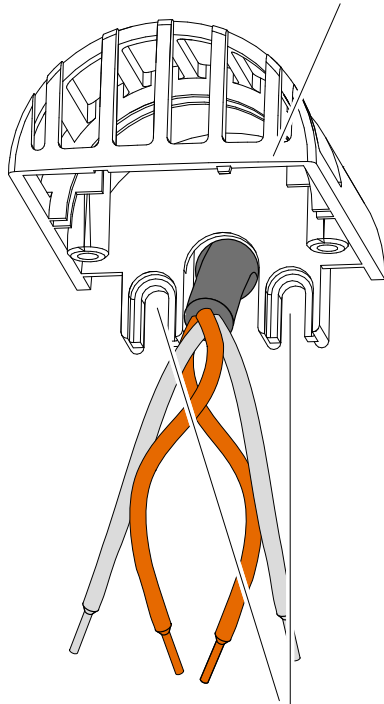
— 90 °C

— 60 °C

— 40 °C

6.4. Monter les capteurs de température

Première partie de l'enveloppe du boîtier



Vis 3,5 x 20 mm

Temp/limiteur de température de sécurité

- Monter le capteur Temp/limiteur de température de sécurité au milieu au-dessus du poêle.

Temp

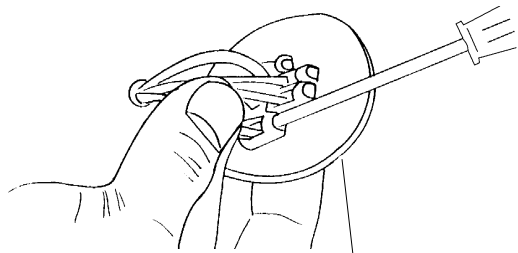
- Monter le capteur Temp au milieu de la paroi de la cabine au-dessus du banc.
1. Percer le trou d'un Ø de 10 mm pour le passage du câble dans l'intérieur de la cabine selon le plan d'installation.
 2. Poser le câble électrique.



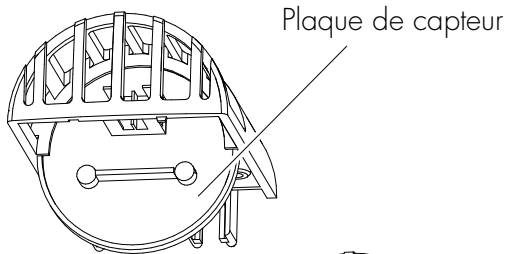
Pour visser le boîtier, maintenir la grille d'aération à la verticale.

3. Visser la première partie de l'enveloppe du boîtier à la paroi de la cabine.
Vis (3,5 x 20 mm).

6.4. Monter les capteurs de température

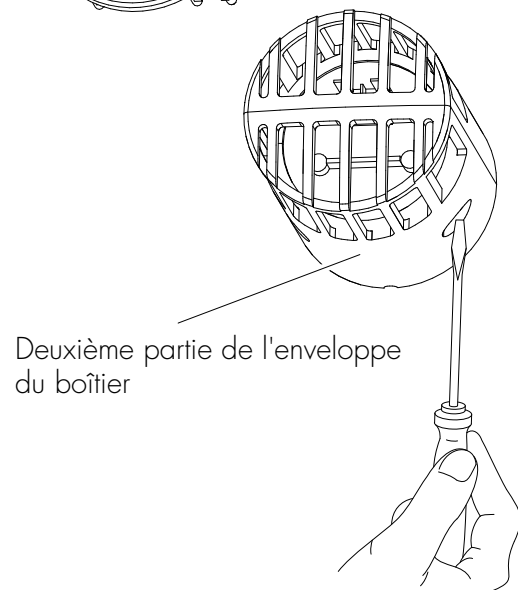


4. Brancher le câble électrique à la plaque du capteur suivant le plan de branchement.
 - Voir plan d'installation/de branchement.
5. Installer la plaque du capteur dans la première moitié du boîtier.



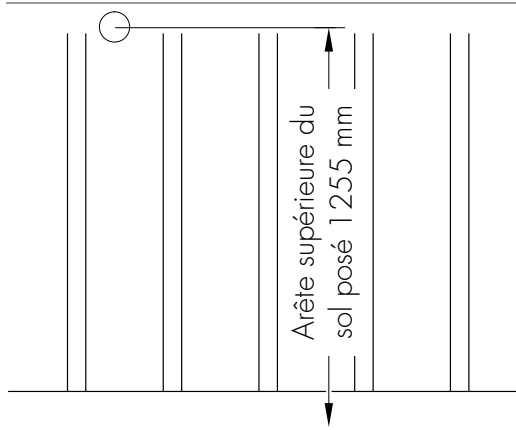
6. Visser la deuxième partie de l'enveloppe du boîtier à la partie de l'enveloppe du boîtier déjà en place.

Vis (3 x 8 mm).

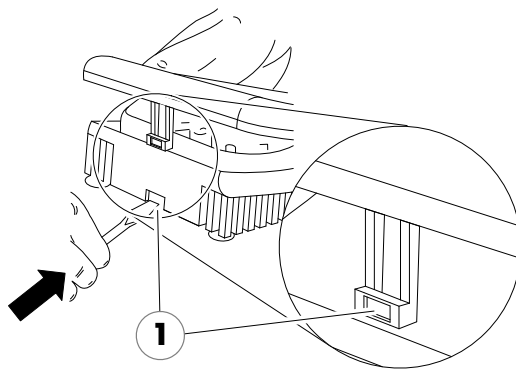


7. MONTER LES ACCESSOIRES SPÉCIAUX

7.1. Monter l'affichage intérieur avec le bouton SaunaPUR (option)



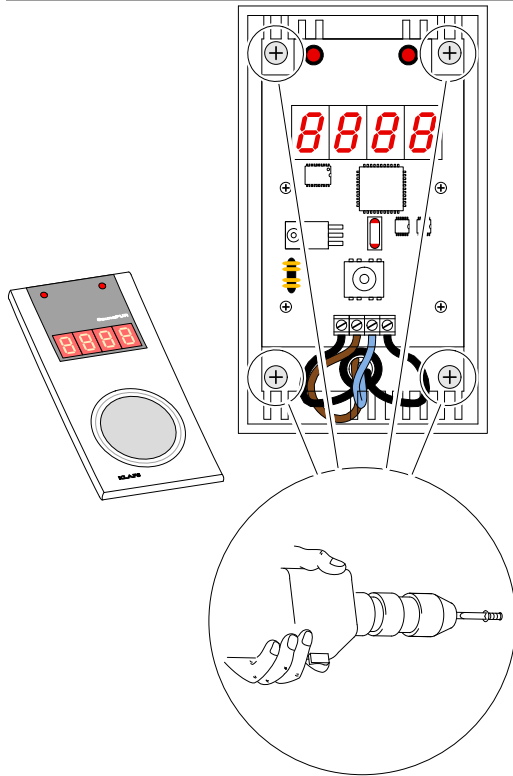
Arête supérieure du sol posé - surface du sol



1. Percer un trou d'un \varnothing de 10 mm pour le passage du câble dans l'intérieur de la cabine selon le plan d'installation.
2. Introduire la conduite électrique et la munir d'un passe-câble.

3. Avec un tournevis appuyer dans l'évidement (1) du verrouillage. Retirer le couvercle du boîtier simultanément.

7.1. Monter l'affichage intérieur avec le bouton SaunaPUR (option)



4. Faire passer la conduite électrique de l'affichage intérieur avec un passe-câble dans les perçages de la partie inférieure du boîtier.
5. Visser la partie inférieure du boîtier en introduisant les vis dans les trous de fixation (3,5 x 20 mm) au milieu de la planche.
6. Raccorder l'affichage intérieur avec le bouton SaunaPUR suivant le plan de connexion.
7. Accrocher le couvercle du boîtier sur la partie inférieure montée et appuyer jusqu'au déclic.

7.2. Monter la télécommande (option)

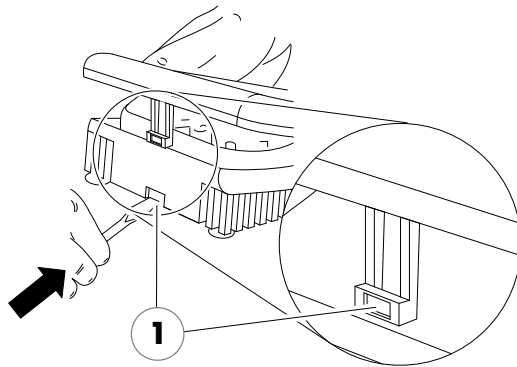


Pour le fonctionnement de la commande par la télécommande, respecter la norme EN 60335.

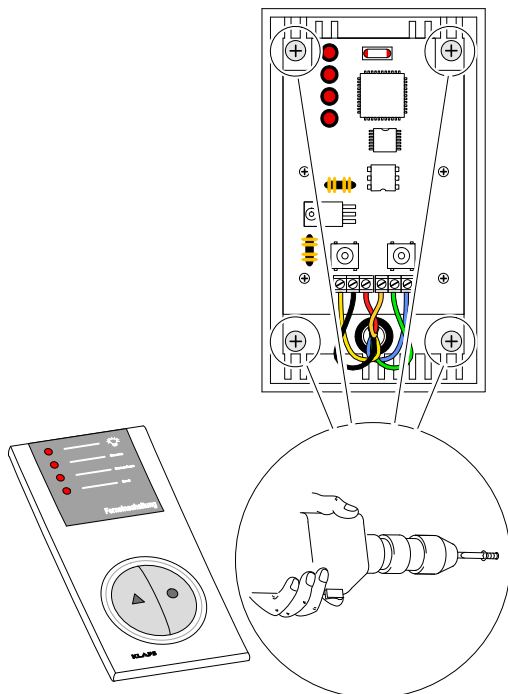
- Pour autoriser la fonction télécommande dans le menu de service 20 KEY, voir Réglages du système à partir de page 61.



Monter la télécommande uniquement dans des locaux secs, ne pas la monter dans la cabine de sauna.



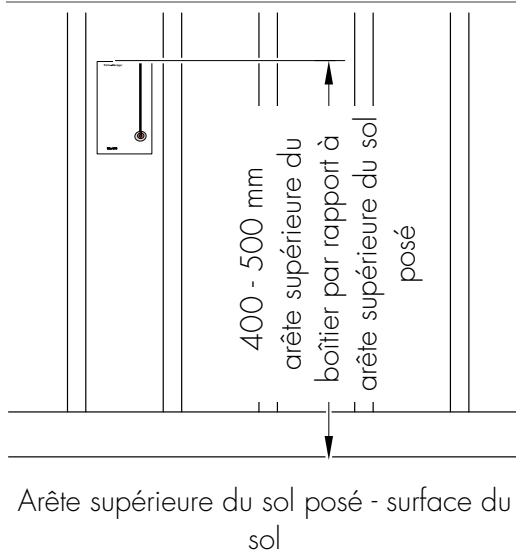
1. Poser un fil entre la télécommande et la commande.
2. Avec un tournevis appuyer dans l'évidement (1) du verrouillage. Retirer le couvercle du boîtier simultanément.



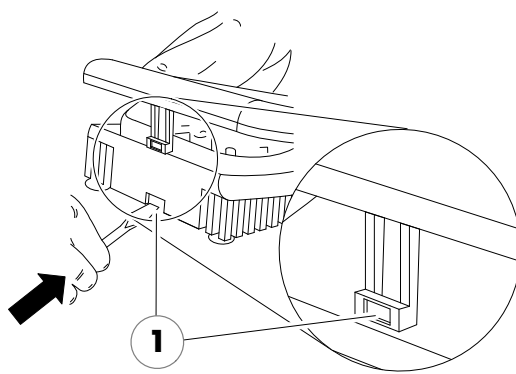
3. Faire passer la conduite électrique de la télécommande avec un passe-câble dans les perçages de la partie inférieure du boîtier.
4. Visser ou cheviller la partie inférieure du boîtier en introduisant les vis dans les trous de fixation (3,5 x 20 mm).
5. Raccorder la télécommande suivant le plan de connexion.

6. Accrocher le couvercle du boîtier sur la partie inférieure montée et appuyer jusqu'au déclic.

7.3. Monter le gestionnaire d'ambiance

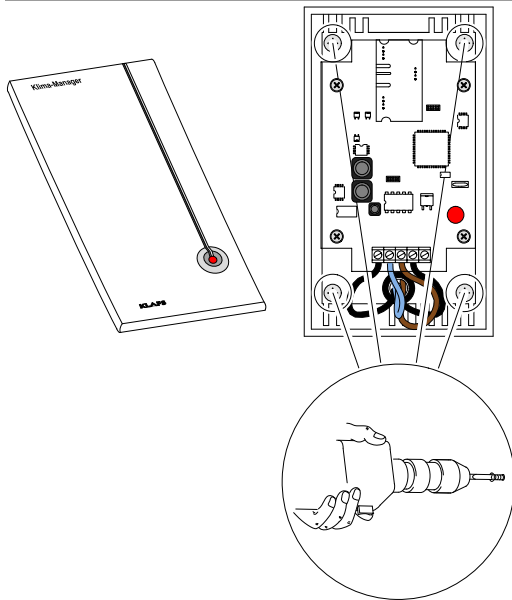


- Monter le gestionnaire d'ambiance à proximité de la gaine d'évacuation d'air.
- 1. Percer un trou d'un \varnothing de 10 mm pour le passage du câble dans l'intérieur de la cabine selon le plan d'installation.
- 2. Introduire la conduite électrique et la munir d'un passe-câble.



- 3. Avec un tournevis appuyer dans l'évidement (1) du verrouillage. Retirer le couvercle du boîtier simultanément.

7.3. Monter le gestionnaire d'ambiance



4. Faire passer la conduite électrique du gestionnaire d'ambiance avec un passe-câble dans les perçages de la partie inférieure du boîtier.
5. Visser la partie inférieure du boîtier en introduisant les vis dans les trous de fixation (3,5 x 20 mm) au milieu de la planche.
6. Brancher le gestionnaire d'ambiance suivant le plan de connexion.
7. Accrocher le couvercle du boîtier sur la partie inférieure montée et appuyer jusqu'au déclic.

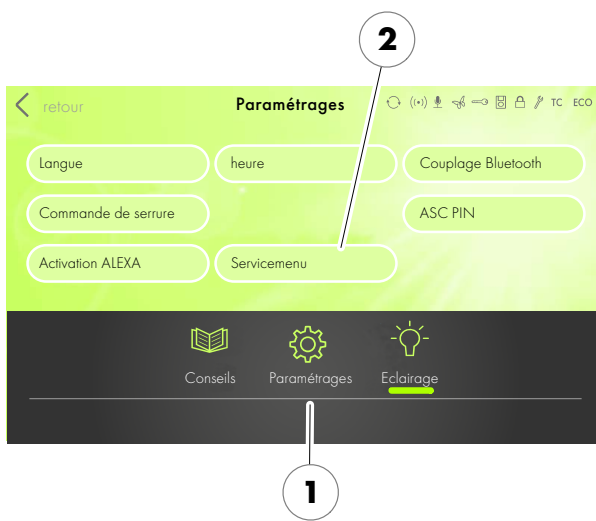
8. RÉGLAGES DU SYSTÈME

8.1. Menu de service (01) - CODE, numéro de code



Condition :

La commande doit être en service et en mode Veille. Aucun programme ne doit tourner.



Ouvrir le menu de service

1. Appuyer sur le symbole Réglages (1).
2. Appuyer sur la ligne Servicemenu (2).

Übersicht / Overview							
Produkt	21033	LT	SerNo	18/05/00123	Datum	23/07/2018	rel
Version	BT	0.04.08		LT 09:92		Uhrzeit	18:10
Freq.	0						
[03]PUR	2	[04]C	125/175	[05]Dauer	1	[06]OfsFau	-8
[08]IT	0	[09]Musik	0	[18]Temp	0	[19]Abluft	0
[21]Green	0	[24]SchCli	0	[29]Tur	0	[33]Turbo	0
[45]Licht Kabine							
[46]Beleuchtung 1		230V/Triac/Li					
[47]Beleuchtung 2		RGB/RS485B/ast					
[51]JAG1	7	LiftLight/CAN/AG2					
[91]CANID	12345	[52]AG2	6				
[92]CANGR	1						
Betriebsdaten							
Netz	Sauna	Sanar.	IR+	Ofen	VD	Klima	
Letzte Fehler				00/00/00/00/00	Abgebr. Trockn.		0
Zurück / back	Ereignisse Event	Service Englisch	Service Deutsch				

Le dialogue Aperçu / Overview s'affiche.

- Le menu de service est disponible en deux langues.
3. Appuyer sur le bouton (3) pour sélectionner la langue.

8.1. Menu de service (01) - CODE, numéro de code

enter service password

enter PIN	1	2	3
	4	5	6
	7	8	9
	-	0	<<
EVENT-LOG			OK

4 **5**

Le dialogue enter service passwords'affiche.

- Pour accéder au menu de service, entrer le code 7452 (4) sur le bloc numérique.
4. Valider la saisie par OK (5).

service-functions from [03] to [12]

[03] Sauna PUR <2>	[04] Humidity sensor <125/175>	[05] Bathing time <1>
[06] humidity offset <8>	[07] temperature offset <4>	[08] power unit <0>
[09] internal music <0>	[11] clear error memory	[12] clear recorded data
Back		>>>

6 **7**

Après la saisie correcte du code à quatre chiffres, une page de sélection du menu de service s'affiche.

5. Ouvrir un menu de service, par ex.humidity offseten appuyant sur le bouton (6).
- Ouvrir la page suivante du menu de service en appuyant sur le bouton (7).
 - Menus de service, voir le tableau des menus de service - page 61.

Quitter le menu de service.

Sélectionner le dernier menu de service END et quitter en appuyant sur le symbole OK.



En l'absence de toute action pendant plus de 60 secondes, la commande ferme automatiquement le menu de service et passe en mode veille.

Les modifications apportées dans un menu de service et non préalablement confirmées par OK ne sont pas reprises.

8.2. Menus de service



Les menus de service accompagnés d'un astérisque (*) sont sans fonction sur la commande de sauna 21029 (les modifications de ces valeurs sont sans effet).

N°	Menu	Saisie
03	SaunaPUR	0 = bloquer SaunaPUR, 1 = autoriser SaunaPUR FAI 3, 2 = autoriser SaunaPUR FAI 4/FAI 5, 3 = algorithme de régulation poêle à gaz
04)*	Capteur d'humidité	C0 / C1
05	Durée du bain	01 h, 03 h, 04 h, 06 h, 12 h, 18 h
06)*	Écart d'humidité	±10 g/m ³
07	Écart de température	±5 °C (limiteur) <ul style="list-style-type: none"> Avec le poêle à monter sous le banc régler la compensation de température sur +5 °C.
08	Détection de fonctionnement	0 = non activé / 1 = activé 60 °C / 2 = activé 75 °C)*
09	Musique	0 = musique automatique / 1 = musique arrêt / 2 = musique marche
11	Effacer les erreurs	0 = ne pas effacer les erreurs / 1 = effacer les erreurs
12	Effacer les données de fonctionnement	0 = ne pas effacer les données de fonctionnement, 1 = effacer les données de fonctionnement
17	Mode de présélection	0 = mode de présélection désactivé, 1 = mode de présélection activé
18	Températures de cabine	0 = 100 °C / 40 °C non activé, 1 = 100 °C / 52 °C activé, 2 = 110 °C / 40 °C non activé, 3 = 110 °C / 52 °C activé
19	Évacuation d'air	0 = obturateur électrique, 2 = angle d'allumage du ventilateur - 50µs, 3 = angle d'allumage du ventilateur - 25µs, 4 = angle d'allumage du ventilateur + 25µs, 5 = angle d'allumage du ventilateur + 50µs
20	KEYGUARD	0 = bloqué, 1 = validé, 2 = contact de porte, 3 = installation domotique/à distance sans interrupteur à clé

8.2. Menus de service



Les menus de service accompagnés d'un astérisque (*) sont sans fonction sur la commande de sauna 21029 (les modifications de ces valeurs sont sans effet).

N°	Menu	Saisie
21	Green Sauna	0 = bloqué 1 = autorisé, 2 = Green Sauna avec marche par inertie du ventilateur, 3 = Green Sauna sans bouton, 4 = Green Sauna sans bouton avec marche par inertie du ventilateur
23	Remplir la conduite de substances aromatiques	0 = ne pas remplir la conduite de substances aromatiques, 1 = remplir la conduite de substances aromatiques
24	Sélection des modes de bain	0 = automatique - sauna, le cas échéant, sauna et SANARIUM 1 = sauna et Softclima
25	Verrouillage de commande de l'écran tactile	0 = verrouillage de commande de l'écran tactile non activé 1 = verrouillage de commande de l'écran tactile activé
28	Séchage final avec banquette IR	0 = séchage final non activé avec banquette IR (par défaut) 1 = séchage final activé avec banquette IR
29	Contacteur de porte	0 = aucun contacteur de porte installé (par défaut) 1 = contacteur de porte installé 2 = Télécommande par APP sans interrupteur de contact de porte
31	Rétro-éclairage temps	Temps jusqu'à la variation automatique du rétro-éclairage. Par défaut 5 minutes Plage de réglage sans variation, 1, 5, 10, 30
32	Rétro-éclairage	Valeur de luminosité du rétro-éclairage à l'état atténué. Par défaut = 25 % Réglable de 15 % à 75 % par incréments de 10 %
33	Algorithme	0 = algorithme standard 1 = algorithme Turboheat

8.2. Menus de service



Les menus de service accompagnés d'un astérisque)* sont sans fonction sur la commande de sauna 21029 (les modifications de ces valeurs sont sans effet).

N°	Menu	Saisie
34	Régler le type de poêle	<p>Réglage du type de poêle pour surveillance de la phase de chauffe lors de la mise en marche par télécommande ou mode de présélection.</p> <p>0 Augmentation de 5 kelvin en 3 minutes (par défaut), poêle Majus / SANARIUM M 6 - 12 kW, Pluris / Pluris Softclima 4,5 - 9 kW, Trumpf 3 - 9 kW, Softclima 3 - 7,5 kW, BONATHERM VS 6 - 12 kW, BONATHERM 6 - 15 kW, B 6 - 12 kW, SANARIUM B 6 - 12 kW, Fero/Fero S 4,5 - 12 kW</p> <p>1 Augmentation de 5 Kelvin en 2 minutes, poêle Majus 16 - 30 kW, Pluris Softclima 12 kW, Softclima 9 kW</p> <p>2 Augmentation de 5 Kelvin en 5 minutes, poêle Pluris Softclima 3 kW, Fero/Fero S 3 - 3,3 kW</p> <p>3 non affecté</p> <p>4 non affecté</p> <p>5 Courbe individuelle de montée en température. Réglage par menu de service 35, voir page 67.</p>

— 90 °C

— 60 °C

— 40 °C

8.2. Menus de service



Les menus de service accompagnés d'un astérisque (*) sont sans fonction sur la commande de sauna 21029 (les modifications de ces valeurs sont sans effet).

N°	Menu	Saisie		
35	Réglage module de sécurité	Réglage de phase de chauffe pour la mise en marche par télécommande, mode de présélection ou APP. <ul style="list-style-type: none"> Utiliser ce procédé uniquement quand la cabine est froide et le poêle est froid. Sinon les valeurs mesurées sont faussées et la surveillance du fonctionnement n'opère pas correctement. Effectuer le mesurage, voir page 67. 		
36	Activer GA CO ₂	Gestionnaire d'ambiance (GA) 0 arrêt 1 marche		
37	Régime max. du ventilateur	Régler le régime max. du ventilateur. Par défaut = 10 Réglable de 0 à 10.		
38	Limite inférieure CO ₂	Démarrer la commande compensation du gestionnaire d'ambiance. Par défaut = 1 Réglable de 0 à 20 (20 correspond à 2000 ppm).		
39	Limite supérieure CO ₂	Valeur CO ₂ max. possible du gestionnaire d'ambiance. Par défaut = 20 Réglable de 8 à 50 (50 correspond à 5000 ppm).		
40	Synchronisme en présence de plusieurs voyants lumineux	0 arrêt 1 marche		
45	Sélection éclairage de cabine 230 V	0-10 V ext	0-10 V AG1	0-10 V AG2
		Standard 0...10 sur sortie lumière	Marche/arrêt sortie lumière	Marche/arrêt AG1
		Marche/arrêt AG2		
46	Sélection SUNSET	Sunset 0-10 V ext	Sunset 0-10 V AG1	Sunset 0-10 V AG2
		Sunset RGB ext	Sunset RGB AG1	Sunset RGB AG2
		MLI sur <L+ L->	Marche/arrêt AG1	Marche/arrêt AG2
		aucun		

8.2. Menus de service



Les menus de service accompagnés d'un astérisque (*) sont sans fonction sur la commande de sauna 21029 (les modifications de ces valeurs sont sans effet).

N°	Menu	Saisie		
47	Sélection lumière colorée	LED lumière colorée ext	LED lumière colorée AG1	LED lumière colorée AG2
		LED lumière colorée Liflight ext	LED lumière colorée Liflight AG1	LED lumière colorée Liflight AG2
		LED lumière colorée Liflight ext (CAN)	LED lumière colorée Liflight AG1 (CAN)	LED lumière colorée Liflight AG2 (CAN)
		Marche/arrêt AG1	Marche/arrêt AG2	aucun
51	Sélection fonction AG1	0 aucun	1 InfraPLUS	2 liseuse
		3 Aquaviva	4 voûte étoilée	5 pompe à substances aromatiques
		6 interrupteur principal marche (éclairage compr.)	7 programme de bain activé	8 bain prêt
		9 marche en cas d'erreur	10 installation pour infusion	
52	Sélection fonction AG2	0 aucun	1 InfraPLUS	2 liseuse
		3 Aquaviva	4 voûte étoilée	5 pompe à substances aromatiques
		6 interrupteur principal marche (éclairage compr.)	7 programme de bain activé	8 bain prêt
		9 marche en cas d'erreur	10 installation pour infusion	
90	Saisie de date	Protocoler les erreurs		
91	Saisie CAN-ID	En option au remplacement dans l'installation existante		
92	Saisie groupe CAN	En option au remplacement dans l'installation existante		

8.3. Menu de service 34 - SM_I, régler le type de poêle

Ouvrir le menu de service

- Voir page 59.
- Réglage du type de poêle pour surveillance de la phase de chauffe lors de la mise en marche par télécommande, mode de présélection ou APP.

Saisie :

0 = Augmentation de 5 kelvin en 3 minutes (par défaut), poêle Majus / Sanarium M 6 - 12 kW, Pluris / Pluris Softclima 4,5 - 9 kW, Trumpf 3 - 9 kW, Softclima 3 - 7,5 kW, Bonatherm VS 6 - 12 kW, BONATHERM 6 - 15 kW, SANARIUM B 6 - 12 kW, Fero/Fero S 4,5 - 12 kW	1 = Augmentation de 5 Kelvin en 2 minutes, poêle Majus 16 - 30 kW, Pluris Softclima 12 kW, Softclima 9 kW
2 = Augmentation de 5 Kelvin en 5 minutes, poêle Pluris Softclima 3 kW	3 = non affecté
4 = non affecté	5 = Courbe individuelle de montée en température. Réglage par menu de service 35, voir page 67.

— 90 °C

— 60 °C

— 40 °C

8.4. Menu de service 35 - SM_P, réglage de phase de chauffe

Réglage de phase de chauffe pour la mise en marche par télécommande, mode de présélection ou APP.

- Conditions préalables :
Utiliser ce procédé uniquement quand la cabine est froide et le poêle est froid. Sinon les valeurs mesurées sont faussées et la surveillance du fonctionnement n'opère pas correctement.
1. Sélectionner le menu 35.
 - Le réglage démarre jusqu'à ce qu'une différence de 5 kelvin soit atteinte.
 - Quand la différence de 5 kelvin est atteinte, le temps mesuré (240 secondes par ex.) s'arrête.
-> Affichage de température 5,0 (kelvin) et 240 (secondes).
 2. Valider les valeurs affichées par OK.
 3. Sélectionner le menu END et valider par OK.
-

— 90 °C

— 60 °C

— 40 °C

9. MODULE WLAN

9.1. Activer le module WLAN



Condition :
Il faut que le module WLAN soit intégré dans la commande.



PIN = 1111

- Module WLAN non activé.

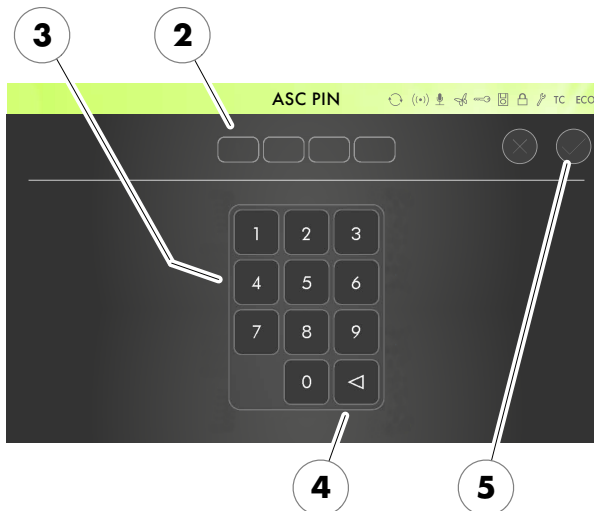
PIN = 2222

- Module WLAN activé.
- Le module WLAN de la commande permet d'accéder à un réseau spécifique de configuration.

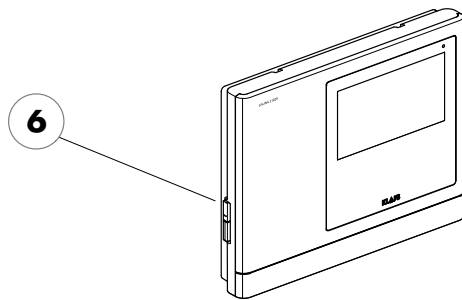
1. Appuyer sur la ligne ASC PIN (1).

Le premier chiffre de saisie de PIN (2) clignote.

- Le PIN du test de fonctionnement de WLAN est « 2222 ».
2. Saisie le PIN sur le bloc numérique (3).
 - Annuler une saisie erronée à l'aide du bouton (4).
 3. Valider le PIN saisi en appuyant sur le symbole (5).
 4. Le menu se ferme.



9.1. Activer le module WLAN



5. Éteindre la commande par l'interrupteur principal (6) puis la rallumer.
6. La commande rallumée, le module WLAN est initialisé dans la commande.

- L'initialisation demande 30 secondes environ, pendant ce temps le symbole (7) clignote.
7. Quand l'initialisation est terminée correctement, le symbole (7) est allumé en continu. Le module WLAN est prêt à fonctionner.

NOTICES

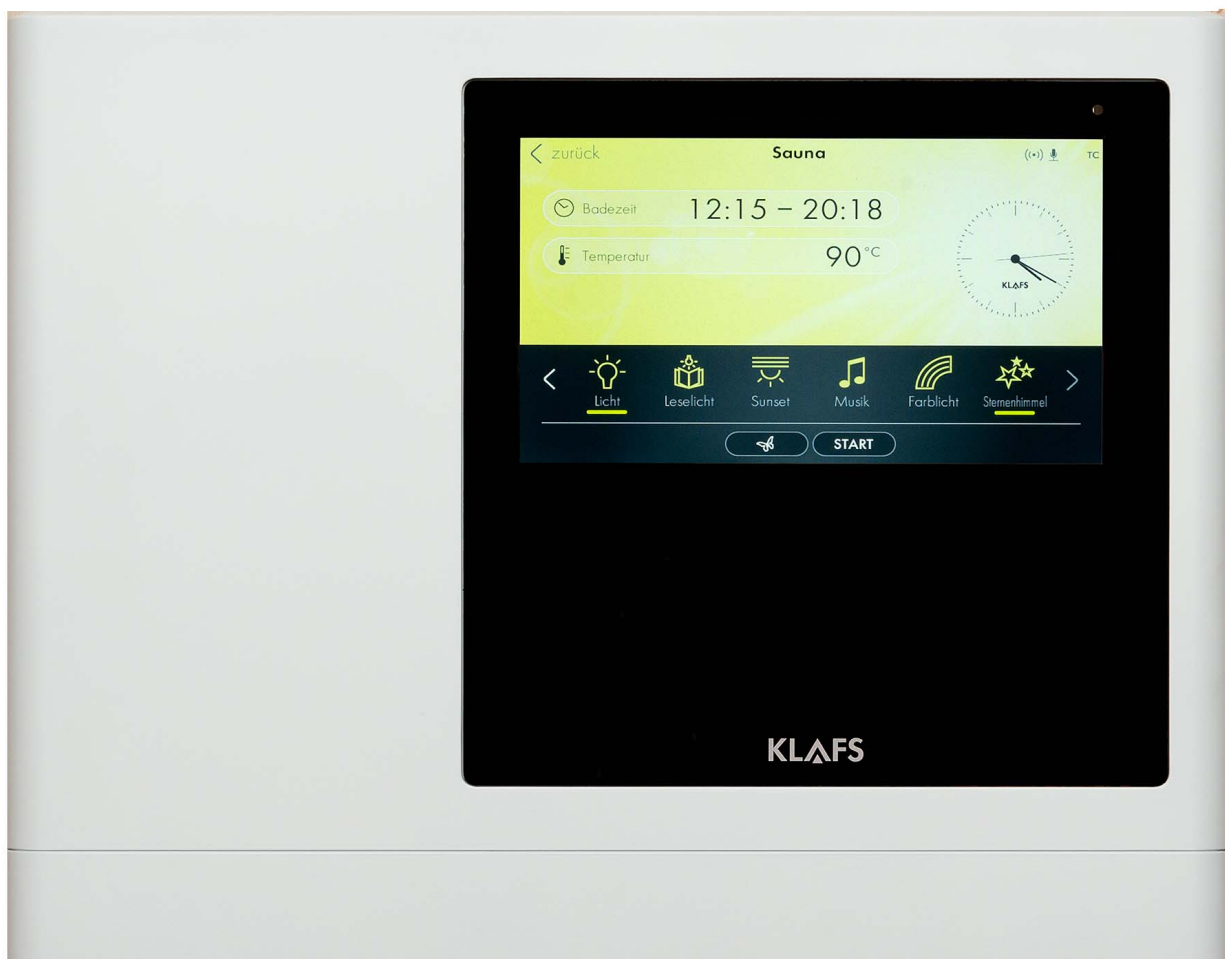
— 90 °C

— 60 °C

— 40 °C

Instrucciones de montaje

KLAFS SaunaPUR con unidad de control del tipo 21029



INDICE DE CONTENIDO

1.	Uso previsto	73
2.	Advertencias generales de seguridad	74
3.	Datos técnicos	75
4.	Unidad de control	76
4.1.	Elementos de manejo y de indicación de la unidad de control	76
5.	Volumen de suministro de la unidad de control SANARIUM	77
5.1.	Volumen de suministro de la unidad de control 21029	77
5.2.	Volumen de suministro de la unidad de control 21029 T	77
6.	Montar la unidad de control	78
6.1.	Montar la carcasa de la unidad de control 21029	78
6.2.	Montar la carcasa de la unidad de control 21029 T	82
6.3.	Configurar el módulo WLAN	85
6.4.	Montar los sensores de temperatura	86
7.	Montar los accesorios especiales	88
7.1.	Montar la indicación interior con la tecla SaunaPUR (opción)	88
7.2.	Montar la conexión remota (opción)	90
7.3.	Montar el gestor de clima	91
8.	Configuración del sistema	93
8.1.	Menú de servicio (01) - CÓDIGO, número de código	93
8.2.	Menús de servicio	95
8.3.	Menú de servicio 34 - SM_I, ajustar el tipo de horno	100
8.4.	Menú de servicio 35 - SM_P, calibración de la fase de calentamiento	101
9.	Módulo WLAN	102
9.1.	Activar el módulo WLAN	102

— 90 °C

— 60 °C

— 40 °C

1. USO PREVISTO

La unidad de control está destinada para aparatos calefactores comprobados y homologados por VDE o TÜV:

- Horno de sauna
- InfraPLUS (opción)

La unidad de control está destinada exclusivamente para su uso previsto. El uso previsto implica también el cumplimiento de las instrucciones de manejo, montaje y servicio. En caso de uso no previsto o modificaciones arbitrarias en la unidad de control, el fabricante declina cualquier responsabilidad en cuanto a los daños derivados como consecuencia de dichas modificaciones. El usuario asumirá todo el riesgo.

El manejo, el mantenimiento y la conservación de la unidad de control solo se deben encomendar a personas que estén familiarizadas con estas operaciones y que conozcan en detalle los peligros. ¡Se deberán cumplir las normas VDE pertinentes, así como las reglas de seguridad generalmente reconocidas!

— 90 °C

— 60 °C

— 40 °C

2. ADVERTENCIAS GENERALES DE SEGURIDAD

¡Antes de la puesta en servicio se deberán leer y tener en cuenta las instrucciones de manejo y las advertencias de seguridad!

- ¡Montar la unidad de control de la sauna siempre fuera de la cabina de sauna!
- ¡Antes de abrir la carcasa se deberá separar la unidad de control de la red eléctrica!
- ¡La conexión de la unidad de control solo deberá llevarla a cabo un electricista autorizado local!
- Conectar las instalaciones de la sauna a la red eléctrica conforme a las normas VDE y mediante una conexión fija. En la línea de alimentación debe utilizarse un interruptor contra caídas de tensión $I_{\Delta N} \leq 0,03 \text{ A}$, con al menos 3 mm de abertura de contactos.
- ¡En caso de anomalías debe informarse al servicio de asistencia técnica de KLAFS!
- Acción a distancia (conexión remota): ajustar, controlar y/o regular una unidad de control mediante una orden o cuando el lugar de instalación de la unidad de control se encuentre fuera del alcance de la vista del horno de sauna. La función de acción a distancia (conexión remota) solo debe utilizarse junto con el interruptor de contacto de seguridad (SKS) o el horno debajo del banco Bonatherm.
- ¡Utilizar solo piezas de recambio originales de KLAFS!
- ¡Queda terminantemente prohibido realizar cualquier modificación arbitraria en la unidad de control!
- ¡Montar la unidad de control siguiendo las instrucciones de montaje!
- Las líneas eléctricas dentro de la cabina y de las paredes de la cabina deben estar aisladas con silicona.
- Antes de la puesta en servicio de la unidad de control, siempre asegurarse de que en la cabina no hay objetos inflamables cerca del horno de sauna ni del radiador de infrarrojos. ¡PELIGRO DE INCENDIO!
- Se debe inspeccionar el compartimento de la sauna antes de que se reinicie el temporizador de nuevo o se conecte el aparato mediante un sistema independiente de acción a distancia.

- Este aparato puede ser utilizado por niños mayores de 8 años, así como por personas con capacidades psíquicas, sensoriales o mentales reducidas o con falta de experiencia y conocimientos, siempre y cuando estén siendo supervisados o hayan sido instruidos acerca del uso seguro del aparato y comprendan perfectamente los correspondientes peligros resultantes. Los niños no deben jugar con el aparato. En cuanto a la limpieza y al mantenimiento por parte del usuario, estos trabajos no deben llevarse a cabo por niños sin supervisión.

3. DATOS TÉCNICOS

Unidad de control

Unidad de control del tipo 21029, 21029 T: 3/N/PE 400 V - 50/60 Hz, máx. 9 kW.

Dimensiones: B = 325 mm, H = 255 mm, T = 50 mm.

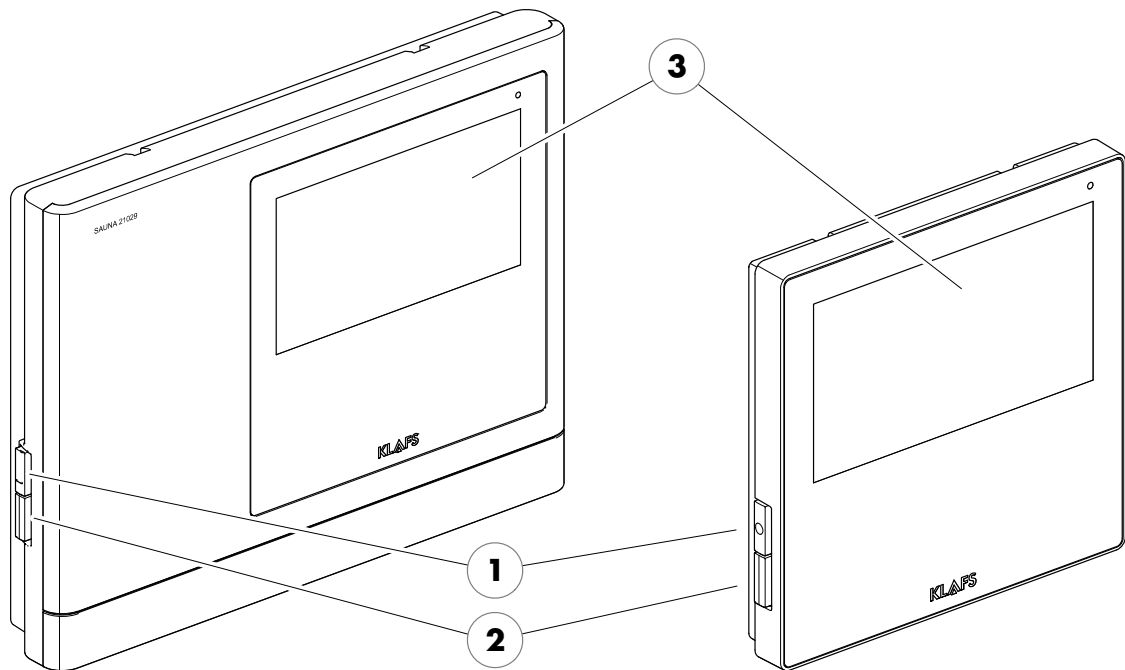
Condiciones ambientales: temperatura de 0 °C a 40 °C, máxima humedad del aire del 80 % r.F.

InfraPLUS

1/N/PE 230 V - 50/60 Hz, aproximadamente 400 W.

4. UNIDAD DE CONTROL

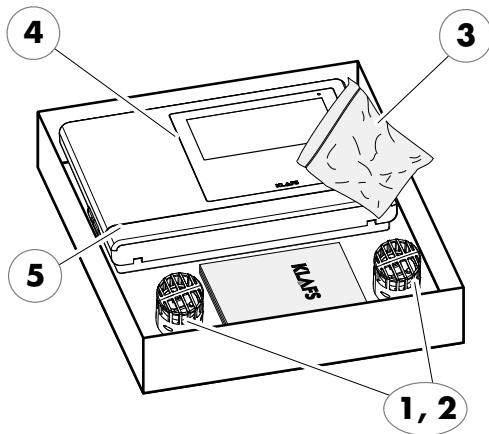
4.1. Elementos de manejo y de indicación de la unidad de control



Pos.	Designación
1.	<p>Interruptor principal de la unidad de control.</p> <ul style="list-style-type: none"> ● El interruptor principal desconecta la tensión de red de la unidad de control. ● El reloj interno dispone de una reserva de funcionamiento de algunos meses en caso de una avería de corriente.
2.	<p>Interruptor para la luz de la cabina.</p> <ul style="list-style-type: none"> ● Si la unidad de control está conectada a la red eléctrica, puede encenderse la luz de la cabina con independencia del interruptor principal.
3.	<p>Pantalla táctil.</p> <ul style="list-style-type: none"> ● Ver las instrucciones de manejo de la unidad de control.

5. VOLUMEN DE SUMINISTRO DE LA UNIDAD DE CONTROL SANARIUM

5.1. Volumen de suministro de la unidad de control 21029

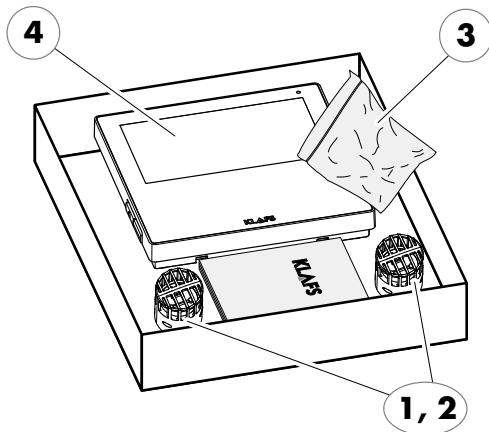


El volumen de suministro incluye los siguientes componentes:

1. 1 sensor de temperatura Temp
2. 1 sensor de temperatura Temp/STB
3. 1 bolsa con piezas de fijación
4. 1 unidad de control de la sauna 21029

Documentación técnica.

5.2. Volumen de suministro de la unidad de control 21029 T



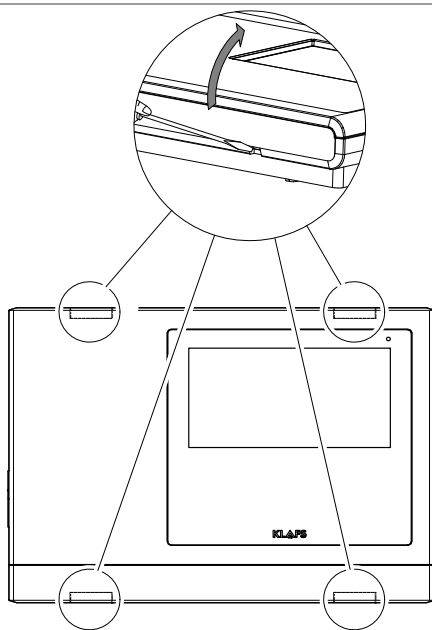
El volumen de suministro incluye los siguientes componentes:

1. 1 sensor de temperatura Temp
2. 1 sensor de temperatura Temp/STB
3. 1 bolsa con piezas de fijación
4. 1 de control de la sauna 21029 T
5. 1 fuente de alimentación

Documentación técnica.

6. MONTAR LA UNIDAD DE CONTROL

6.1. Montar la carcasa de la unidad de control 21029



Abrir la carcasa de la unidad de control

1. En los cuatro puntos representados presionar con cuidado cada una de las cuatro pestañas con un destornillador y girar.
2. Si los cuatro enganches están sueltos, se podrá sacar la parte frontal.



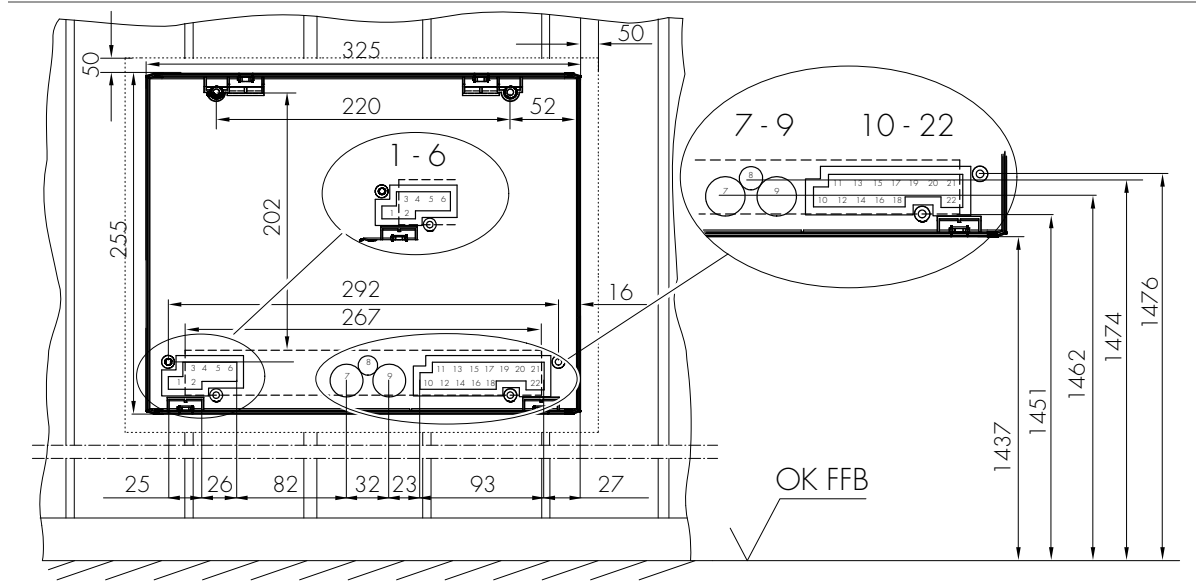
Retirar cuidadosamente la tapa de la carcasa de la unidad de control.
Desenchufar la línea de conexión si fuera preciso.

6.1. Montar la carcasa de la unidad de control 21029

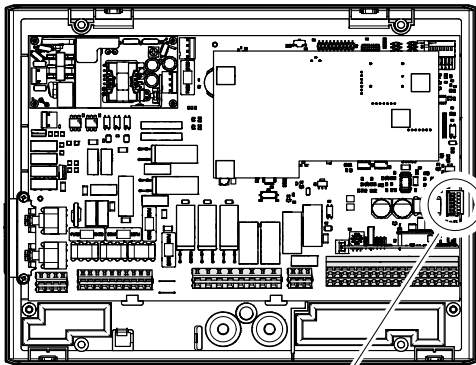
Realizar los pasos para las líneas eléctricas

OK FFB = borde superior del suelo prefabricado. Para el montaje, mantener en todo momento la carcasa de la unidad de control a una distancia de 50 mm de otros aparatos o de la pared. Realizar unos pasos según el croquis mostrado, para pasar las líneas eléctricas en el panel de pared. Pasar las líneas eléctricas desde atrás por el panel de pared.

1 Luz/interruptor principal	13 SUNSET
2 Red auxiliar	14 Contacto de puerta
3 Ventilador	15 KEYGUARD
4 Luz	16 CAN
5 Salida 2	17 Temp
6 Salida 1	18 Temp/STB
7 Línea de alimentación	19 SKS
8 Evaporador	20 Sensor de humedad
9 Línea de conexión del horno	21 Indicación interior
10 AudioRelaxSystem	22 Conexión remota
11 LED de luz de color	23 Parte de mando
12 Dispositivo de acoplamiento atenuable	

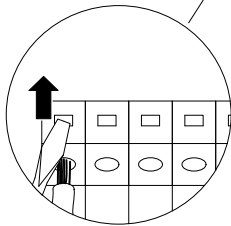


6.1. Montar la carcasa de la unidad de control 21029



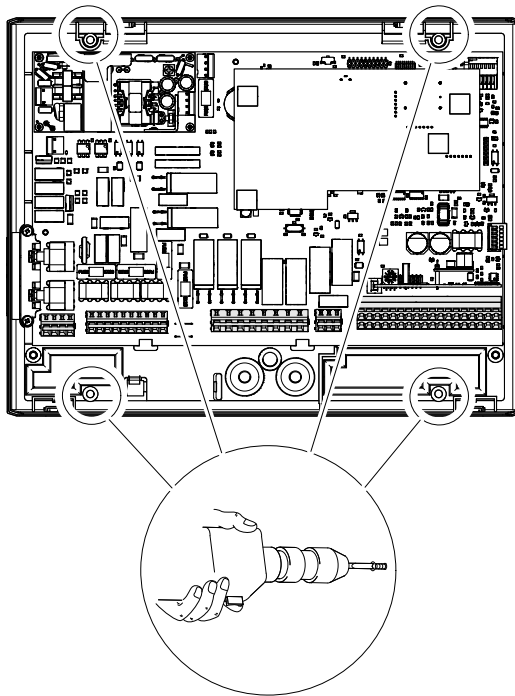
Conectar los cables a la clavija de la conexión remota, FAI 4 o FAI 5 (opción)

1. Pelar los extremos de hilo 5 - 6 mm.
2. Abrir el enclavamiento de la clavija de la conexión remota con la herramienta auxiliar e insertar los extremos de hilo según el esquema eléctrico.
3. Sacar las herramientas auxiliares y comprobar que la unión de la conexión de la línea sea correcta.
4. Conectar la clavija de la conexión remota al conector hembra de la tarjeta.



6.1. Montar la carcasa de la unidad de control 21029

Montar la parte inferior de la carcasa

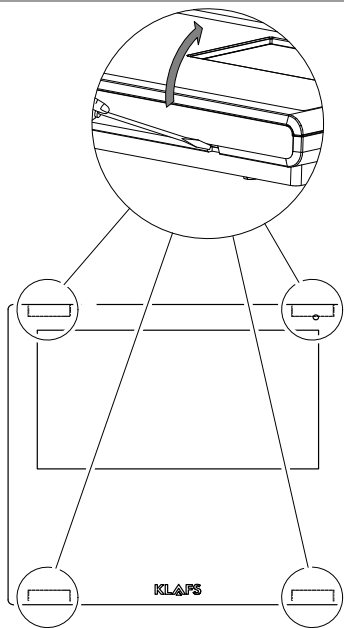


1. Pasar todas las líneas eléctricas en el correspondiente orden de conexión desde atrás, por los pasos de líneas hasta la parte inferior de la carcasa.
2. Atornillar la parte inferior de la carcasa con los cuatro tornillos avellanados (4,5 x 20 mm) en el panel de pared.
 - No doblar la parte inferior de la carcasa al atornillar. Comprobar la función de conmutación mecánica del interruptor principal.
 - Alinear el centro de la carcasa horizontalmente de forma centrada entre cuatro tableros para fijar la parte inferior de la carcasa.
 - Prestar atención a que los tornillos de fijación se introduzcan de forma segura en un tablero. Si fuera necesario, alinear la carcasa de la unidad de control a la izquierda/derecha.
3. Conectar la unidad de control de acuerdo con el esquema de conexión.



Para garantizar que el cableado se realice correctamente, pelar los hilos 5 - 6 mm. Asegurarse de que no sobresalga ningún hilo metálico. Abrir el enclavamiento de la unión por apriete con un destornillador para introducir los extremos de hilo en la unión por apriete. Comprobar que los cables estén correctamente conectados.

6.2. Montar la carcasa de la unidad de control 21029 T



Abrir la carcasa de la unidad de control

1. En los cuatro puntos representados presionar con cuidado cada una de las cuatro pestañas con un destornillador y girar.
2. Si los cuatro enganches están sueltos, se podrá sacar la parte frontal.



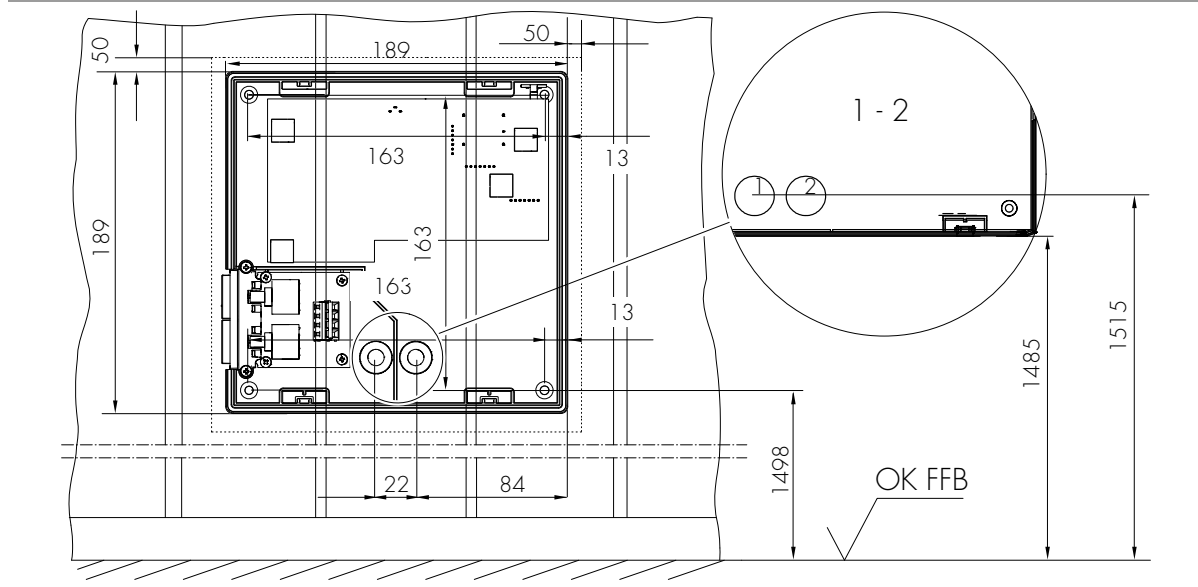
Retirar cuidadosamente la tapa de la carcasa de la unidad de control.
Desenchufar la línea de conexión si fuera preciso.

6.2. Montar la carcasa de la unidad de control 21029 T

Realizar los pasos para las líneas eléctricas

OK FFB = borde superior del suelo prefabricado. Para el montaje, mantener en todo momento la carcasa de la unidad de control a una distancia de 50 mm de otros aparatos o de la pared. Realizar unos pasos según el croquis mostrado, para pasar las líneas eléctricas en el panel de pared. Pasar las líneas eléctricas desde atrás por el panel de pared.

1	Luz/interruptor principal
2	Línea de datos de la fuente de alimentación



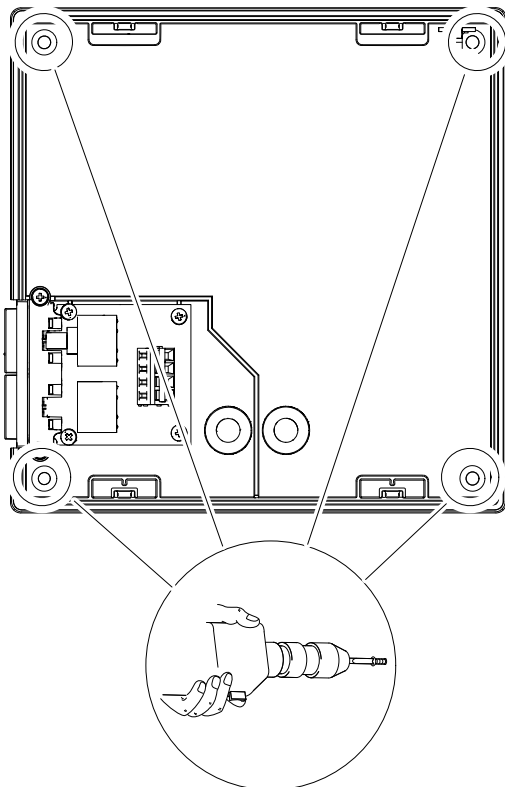
90 °C

60 °C

40 °C

6.2. Montar la carcasa de la unidad de control 21029 T

Montar la parte inferior de la carcasa



1. Pasar todas las líneas eléctricas en el correspondiente orden de conexión desde atrás, por los pasos de líneas hasta la parte inferior de la carcasa.
2. Atornillar la parte inferior de la carcasa con los cuatro tornillos avellanados (4,5 x 20 mm) en el panel de pared.
 - No doblar la parte inferior de la carcasa al atornillar. Comprobar la función de conmutación mecánica del interruptor principal.
 - Alinear el centro de la carcasa horizontalmente de forma centrada entre tres tableros para fijar la parte inferior de la carcasa.
 - Prestar atención a que los tornillos de fijación se introduzcan de forma segura en un tablero. Si fuera necesario, alinear la carcasa de la unidad de control a la izquierda/derecha.
3. Conectar la unidad de control de acuerdo con el esquema de conexión.



Para garantizar que el cableado se realice correctamente, pelar los hilos 5 - 6 mm. Asegurarse de que no sobresalga ningún hilo metálico. Abrir el enclavamiento de la unión por apriete con un destornillador para introducir los extremos de hilo en la unión por apriete. Comprobar que los cables estén correctamente conectados.

6.3. Configurar el módulo WLAN

Configuración del sistema en la unidad de control 210xx

1. Menú de servicio 29 - Interruptor de contacto de puerta -> Valor = 1
 - Ver la configuración del sistema a partir de la página 95.
2. Activar el módulo WLAN
 - Ver la página 102, capítulo 9.1.

Instrucciones de manejo del módulo WLAN

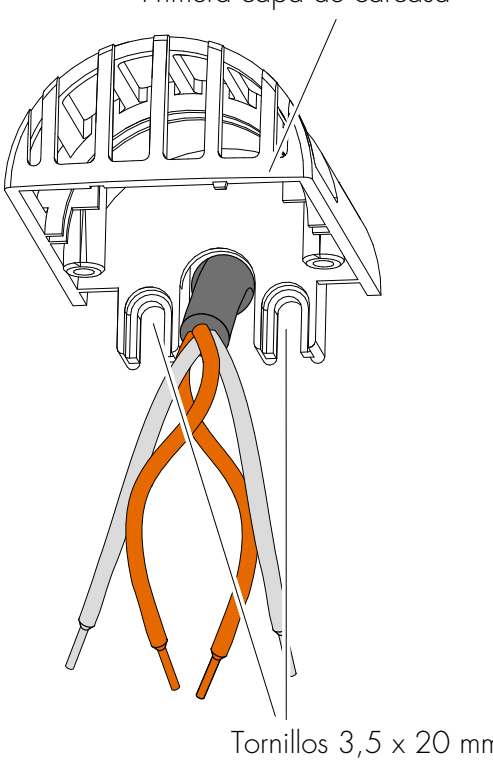

- Ver las instrucciones de manejo adicionales 5060108/5060109.
-

— 90 °C

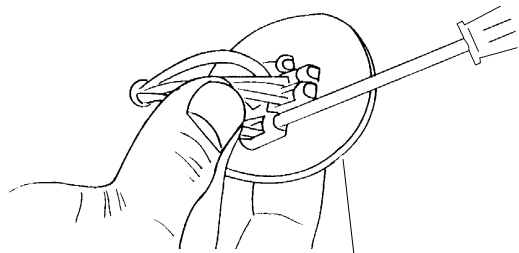
— 60 °C

— 40 °C

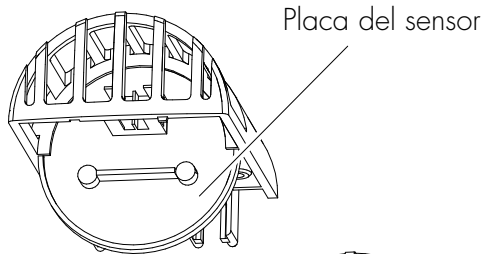
6.4. Montar los sensores de temperatura

<p>Primera capa de carcasa</p>  <p>Tornillos 3,5 x 20 mm</p>	<p>Temp/STB</p> <ul style="list-style-type: none"> ● Montar el sensor Temp/STB en el centro encima del horno. <p>Temp</p> <ul style="list-style-type: none"> ● Montar el sensor de temperatura Temp en el centro de la pared de la cabina encima de la tumbona. <ol style="list-style-type: none"> 1. Taladrar un orificio de \varnothing 10 mm para pasar los cables en el interior de la cabina de acuerdo con el esquema de instalación. 2. Instalar la línea eléctrica. <div style="background-color: #f0f0f0; padding: 5px; border: 1px solid #ccc;"> <p> Para atornillar la carcasa deben colocarse las rejillas de ventilación verticalmente.</p> </div> <ol style="list-style-type: none"> 3. Atornillar la primera capa de carcasa a la pared de la cabina. <p>Tornillos (3,5 x 20 mm).</p>
--	---

6.4. Montar los sensores de temperatura



4. Conectar la línea eléctrica según el esquema eléctrico a la placa del sensor.
 - Ver el esquema de instalación/esquema eléctrico.
5. Introducir la placa del sensor en la primera mitad de la carcasa.

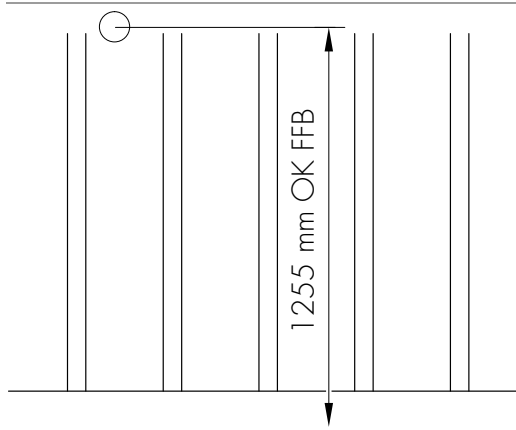


6. Atornillar la segunda capa de carcasa a la capa de carcasa ya montada.
Tornillos (3 x 8 mm).

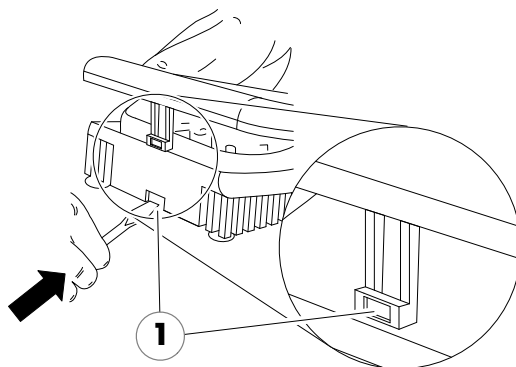


7. MONTAR LOS ACCESORIOS ESPECIALES

7.1. Montar la indicación interior con la tecla SaunaPUR (opción)

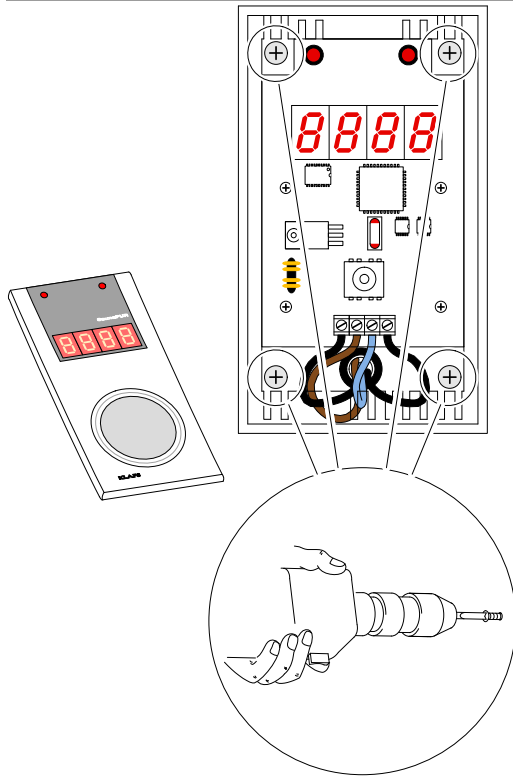


OK FFB: superficie del suelo



1. Taladrar un orificio de $\varnothing 10$ mm para pasar los cables en el interior de la cabina de acuerdo con el esquema de instalación.
2. Realizar la línea eléctrica y montar un manguito de cables.
3. Con un destornillador, ejercer presión en la cavidad (1) del enclavamiento. Al mismo tiempo, retirar la tapa de carcasa.

7.1. Montar la indicación interior con la tecla SaunaPUR (opción)



4. Introducir la línea eléctrica para la indicación interior a través de los orificios con un manguito de cables en la parte inferior de la carcasa.
5. Atornillar la parte inferior de la carcasa en los orificios de fijación con unos tornillos (3,5 x 20 mm) de forma centrada sobre el tablero.
6. Conectar la indicación interior con la tecla SaunaPUR según el esquema eléctrico.
7. Enganchar la tapa de carcasa en la parte inferior montada y presionar hasta que encaje.

7.2. Montar la conexión remota (opción)

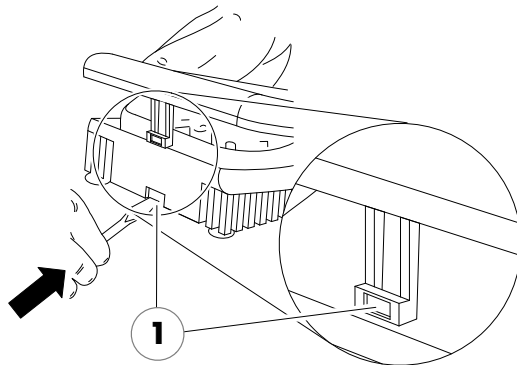


¡Durante la utilización de la unidad de control con la conexión remota debe tenerse en cuenta la norma EN 60335!

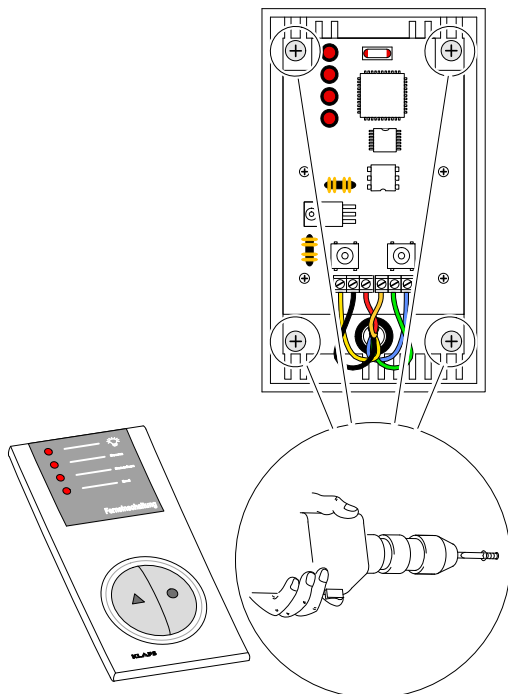
- Habilitar la función de conexión remota en el menú de servicio 20 KEY, ver la configuración del sistema a partir de la página 95.



¡Montar la conexión remota solo en locales secos y no dentro de la cabina de sauna!

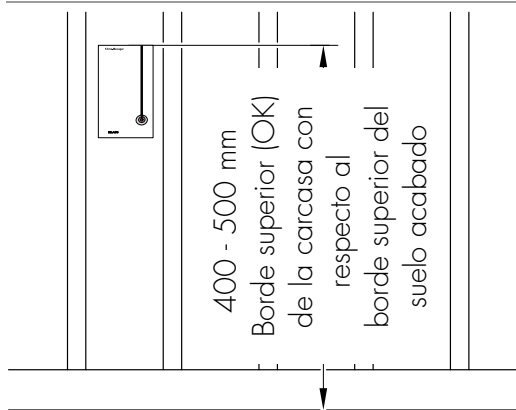


1. Instalar la línea entre la conexión remota y la unidad de control.
2. Con un destornillador, ejercer presión en la cavidad (1) del enclavamiento. Al mismo tiempo, retirar la tapa de carcasa.

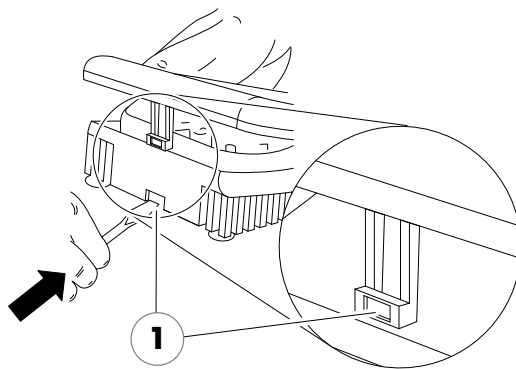


3. Introducir la línea eléctrica para la conexión remota a través de los orificios con un manguito de cables en la parte inferior de la carcasa.
4. Atornillar o empernar la parte inferior de la carcasa en los orificios de fijación con unos tornillos (3,5 x 20 mm).
5. Conectar la conexión remota según el esquema eléctrico.
6. Enganchar la tapa de carcasa en la parte inferior montada y presionar hasta que encaje.

7.3. Montar el gestor de clima



OK FFB: superficie del suelo



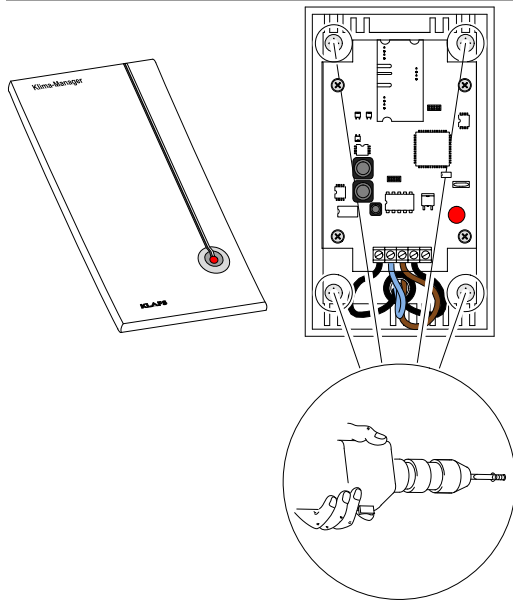
- Montar el gestor de clima cerca del canal de aire residual.

1. Taladrar un orificio de \varnothing 10 mm para pasar los cables en el interior de la cabina de acuerdo con el esquema de instalación.
2. Realizar la línea eléctrica y montar un manguito de cables.

3. Con un destornillador, ejercer presión en la cavidad (1) del enclavamiento. Al mismo tiempo, retirar la tapa de carcasa.

— 40 °C

7.3. Montar el gestor de clima



4. Introducir la línea eléctrica para el gestor de clima a través de los orificios con un manguito de cables en la parte inferior de la carcasa.
5. Atornillar la parte inferior de la carcasa en los orificios de fijación con unos tornillos (3,5 x 20 mm) de forma centrada sobre el tablero.
6. Conectar el gestor de clima según el esquema eléctrico.
7. Enganchar la tapa de carcasa en la parte inferior montada y presionar hasta que encaje.

— 90 °C

— 60 °C

— 40 °C

8. CONFIGURACIÓN DEL SISTEMA

8.1. Menú de servicio (01) - CÓDIGO, número de código

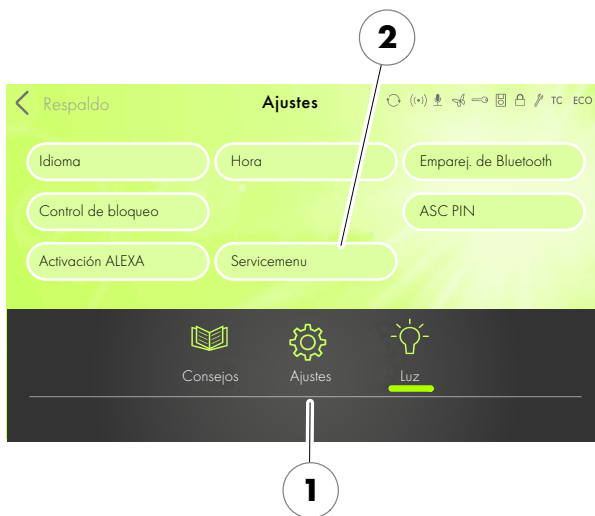


Requisito:

La unidad de control debe estar conectada y encontrarse en reposo. No debe haber ningún programa funcionando.

Visualizar el menú de servicio

1. Pulsar el símbolo de ajustes (1).
2. Pulsar la línea Servicemenu (2).



Übersicht / Overview							
Produkt	21033	LT	SerNo	18/05/00123	Datum	23/07/2018	rel
Version	BT	0.04.08	LT	09.92	Uhrzeit	18:10	
Freq.	0						
[03]PUR	2	[04]C	125/175	[05]Dauer	1	[06]OfsFau	-8
[08]IT	0	[09]Musik	0	[18]Temp	0	[19]Abluft	0
[21]Green	0	[24]SchfCli	0	[29]Tur	0	[33]Turbo	0
[45]Licht Kabine							
[46]Beleuchtung 1		RGB/RS485B/ast					
[47]Beleuchtung 2		LitLight/CAN/AG2					
[51]AG1	7	[52]AG2	6				
[91]CANID	12345	[92]CANGR1					
Betriebsdaten							
Netz	Sauna	Sanar.	IR+	Ofen	VD	Klima	
Letzte Fehler		00/00/00/00/00		Abgebr. Trockn.		0	
Zurück / back	Ereignisse Event	Service English	Service Deutsch				

Aparece el diálogo "Vista general / Overview".

- El menú de servicio está disponible en dos idiomas.
3. Pulsar el botón (3) del idioma deseado.

8.1. Menú de servicio (01) - CÓDIGO, número de código

enter service password

enter PIN	1	2	3
	4	5	6
	7	8	9
	-	0	<<
EVENT-LOG			OK

4 **5**

Aparece el diálogo enter service password.

- Para visualizar el menú de servicio, es necesario introducir los números de código 7452 (4) a través del teclado numérico.
4. Confirmar la entrada con OK (5).

service-functions from [03] to [12]

[03] Sauna PUR <2>	[04] Humidity sensor <125/175>	[05] Bathing time <1>
[06] humidity offset <8>	[07] temperature offset <4>	[08] power unit <0>
[09] internal music <0>	[11] clear error memory	[12] clear recorded data
Back		>>>

6 **7**

Una vez introducido correctamente el número de código de cuatro dígitos, aparece el campo de selección del menú de servicio.

5. Visualizar un menú de servicio, por ejemplo, humidity offset pulsando el botón (6).
- Visualizar la página siguiente del menú de servicio pulsando el botón (7).
 - Menús de servicio, ver la tabla de menús de servicio - Página 95.

Salir del menú de servicio.

Seleccionar el último menú de servicio END y finalizar el proceso pulsando el símbolo OK.



Si no se realiza ningún manejo durante más de 60 segundos, la unidad de control finaliza automáticamente el menú de servicio y cambia a reposo.

No se aplican las modificaciones que no se hayan finalizado previamente en un menú de servicio con OK.

8.2. Menús de servicio



Los menús de servicio identificados con un asterisco)*, están sin función en caso de la unidad de control de la sauna 21029 (las modificaciones de estos valores no tienen ningún efecto).

Número	Menú	Entrada
03	SaunaPUR	0 = bloquear SaunaPUR 1 = habilitar SaunaPUR FAI 3, 2 = habilitar SaunaPUR FAI 4/FAI 5 3 = algoritmo de control del horno de gas
04)*	Sensor de humedad	C0 / C1
05	Duración del baño	01 h, 03 h, 04 h, 06 h, 12 h, 18 h
06)*	Compensación de humedad	de $\pm 10 \text{ g/m}^3$
07	Compensación de temperatura	de $\pm 5 \text{ }^\circ\text{C}$ (limitador) <ul style="list-style-type: none"> En caso de hornos debajo del banco, debe ajustarse la compensación de temperatura a $+5 \text{ }^\circ\text{C}$.
08	Detección de potencia	0 = no activado / 1 = activado $60 \text{ }^\circ\text{C}$ / 2 = activado $75 \text{ }^\circ\text{C}$)*
09	Música	0 = música en automático / 1 = música desactivada / 2 = música activada
11	Borrar el error	0 = no borrar el error / 1 = borrar el error
12	Borrar los datos de servicio	0 = no borrar los datos de servicio, 1 = borrar los datos de servicio
17	Servicio de preselección	0 = servicio de preselección desconectado, 1 = servicio de preselección conectado
18	Temperaturas de cabina	0 = $100 \text{ }^\circ\text{C}$ / $40 \text{ }^\circ\text{C}$ no activado, 1 = $100 \text{ }^\circ\text{C}$ / $52 \text{ }^\circ\text{C}$ activado, 2 = $110 \text{ }^\circ\text{C}$ / $40 \text{ }^\circ\text{C}$ no activado, 3 = $110 \text{ }^\circ\text{C}$ / $52 \text{ }^\circ\text{C}$ activado
19	Aire residual	0 = tapa de cierre eléctrico, 2 = ventilador ángulo de encendido - $50 \mu\text{s}$, 3 = ventilador ángulo de encendido - $25 \mu\text{s}$, 4 = ventilador ángulo de encendido + $25 \mu\text{s}$, 5 = ventilador ángulo de encendido + $50 \mu\text{s}$
20	KEYGUARD	0 = bloqueado, 1 = habilitado, 2 = contacto de puerta, 3 = sistema de gestión de edificios (BMS) / Función remota sin interruptor con llave

8.2. Menús de servicio



Los menús de servicio identificados con un asterisco (*), están sin función en caso de la unidad de control de la sauna 21029 (las modificaciones de estos valores no tienen ningún efecto).

Número	Menú	Entrada
21	Green Sauna	0 = bloqueado, 1 = habilitado, 2 = Green Sauna con ventiladores de desconexión retardada, 3 = Green Sauna sin pulsador, 4 = Green Sauna sin pulsador con ventiladores de desconexión retardada
23	Llenar la tubería de aroma	0 = no llenar la tubería de aroma, 1 = llenar la tubería de aroma
24	Selección de las formas de baño	0 = automático - Sauna o sauna y SANARIUM 1 = sauna y clima suave
25	Bloqueo de manejo para la pantalla táctil	0 = bloqueo de manejo para la pantalla táctil no activado 1 = bloqueo de manejo para la pantalla táctil activado
28	Secado posterior en caso de asiento IR	0 = secado posterior en caso de asiento IR no activado (estándar) 1 = secado posterior en caso de asiento IR activado
29	Interruptor de contacto de puerta	0 = no hay ningún interruptor de contacto de puerta disponible (estándar) 1 = hay un interruptor de contacto de puerta disponible 2 = conexión remota a través de la aplicación sin interruptor de contacto de puerta
31	Iluminación de fondo, tiempo	Duración hasta la atenuación automática de la iluminación de fondo. Estándar 5 minutos Gama de ajuste sin atenuación, 1, 5, 10, 30
32	Iluminación de fondo	Valor de luminosidad de la iluminación de fondo en estado atenuado. Estándar = 25 % Ajustable entre el 15% y el 75% en pasos de 10%
33	Algoritmo	0 = algoritmo estándar 1 = algoritmo Turboheat

8.2. Menús de servicio



Los menús de servicio identificados con un asterisco (*), están sin función en caso de la unidad de control de la sauna 21029 (las modificaciones de estos valores no tienen ningún efecto).

Número	Menú	Entrada
34	Ajustar el tipo de horno	<p>Ajuste del tipo de horno para monitorizar la fase de calentamiento en el arranque remoto o el servicio de preselección.</p> <p>0 Aumento 5 kelvin en 3 minutos (estándar), hornos Majus / SANARIUM M 6 - 12 kW, Pluris / Pluris Softclima 4,5 - 9 kW, Trumpf 3 - 9 kW, Softclima 3 - 7,5 kW, BONATHERM VS 6 - 12 kW, BONATHERM 6 - 15 kW, B 6 - 12 kW, SANARIUM B 6 - 12 kW, Fero/Fero S 4,5 - 12 kW</p> <p>1 Aumento de 5 kelvin en 2 minutos, hornos Majus 16-30 kW, Pluris Softclima 12 kW, Softclima 9 kW</p> <p>2 Aumento de 5 kelvin en 5 minutos, horno Pluris Softclima 3 kW, Fero/Fero S 3 - 3,3 kW</p> <p>3 Sin asignar</p> <p>4 Sin asignar</p> <p>5 Curva de calentamiento individual. Calibración a través del menú de servicio 35, ver la página 101.</p>
35	Calibración del módulo de seguridad	<p>Calibración de la fase de calentamiento para la conexión a través del arranque remoto, el servicio de preselección o la aplicación.</p> <ul style="list-style-type: none"> Llevar a cabo el proceso únicamente cuando la cabina y el horno estén fríos. De lo contrario, los valores de medición se falsean y la monitorización no funciona correctamente durante el servicio. Realizar el proceso de calibración, ver la página 101.

8.2. Menús de servicio



Los menús de servicio identificados con un asterisco (*), están sin función en caso de la unidad de control de la sauna 21029 (las modificaciones de estos valores no tienen ningún efecto).

Número	Menú	Entrada		
36	Activar KM CO ₂	Gestor de clima 0 Desconectado 1 Conectado		
37	Máximo número de revoluciones del ventilador	Ajustar el máximo número de revoluciones de ventilador. Estándar = 10 Ajustable entre 0 y 10.		
38	Límite inferior de CO ₂	Compensación del gestor de clima controlar el inicio. Estándar = 1 Ajustable entre 0 y 20. (20 corresponden a 2000 ppm).		
39	Límite superior de CO ₂	Máximo valor de CO ₂ posible del gestor de clima. Estándar = 20 Ajustable entre 8 y 50. (50 corresponden a 5000 ppm).		
40	Funcionamiento sincronizado de varias luces de color	0 Desconectado 1 Conectado		
45	Selección de la iluminación de la cabina de 230 V	0-10 V Ext	0-10 V AG1	0-10 V AG2
		Estándar 0...10 en la salida de luz	Desconectado/conectado salida de luz	Desconectado/conectado AG1
		Desconectado/conectado AG2		
46	Selección SUNSET	Sunset 0-10 V ext	Sunset 0-10 V AG1	Sunset 0-10 V AG2
		Sunset RGB ext	Sunset RGB AG1	Sunset RGB AG2
		PWM en <L+ L->	Desconectado/conectado AG1	Desconectado/conectado AG2
		Ninguno		

8.2. Menús de servicio



Los menús de servicio identificados con un asterisco (*), están sin función en caso de la unidad de control de la sauna 21029 (las modificaciones de estos valores no tienen ningún efecto).

Número	Menú	Entrada		
47	Selección de la luz de color	LED de luz de color ext	LED de luz de color AG1	LED de luz de color AG2
		LED de luz de color Liflight ext	LED de luz de color Liflight AG1	LED de luz de color Liflight AG2
		LED de luz de color Liflight ext (CAN)	LED de luz de color Liflight AG1 (CAN)	LED de luz de color Liflight AG2 (CAN)
		Desconectado/conectado AG1	Desconectado/conectado AG2	Ninguno
51	Selección de función AG1	0 Ninguna	1 InfraPLUS	2 Lámpara de lectura
		3 Aquaviva	4 Cielo con estrellas	5 Bomba de sustancias aromáticas
		6 Conectar el interruptor principal (incluyendo la iluminación)	7 Programa de baño activo	8 Preparado para el baño
		9 Encendido con error	10 Equipo de aditivo	
52	Selección de función AG2	0 Ninguna	1 InfraPLUS	2 Lámpara de lectura
		3 Aquaviva	4 Cielo con estrellas	5 Bomba de sustancias aromáticas
		6 Conectar el interruptor principal (incluyendo la iluminación)	7 Programa de baño activo	8 Preparado para el baño
		9 Encendido con error	10 Equipo de aditivo	
90	Entrada de la fecha	Protocolización de errores		
91	Entrada CAN-ID	Opcionalmente en caso de sustitución en una instalación existente		
92	Entrada del grupo CAN	Opcionalmente en caso de sustitución en una instalación existente		

8.3. Menú de servicio 34 - SM_I, ajustar el tipo de horno

Visualizar el menú de servicio

- Ver la página 93.
- Ajuste del tipo de horno para monitorizar la fase de calentamiento en el arranque remoto, el servicio de preselección o la aplicación.

Entrada:

0 = Aumento de 5 kelvin en 3 minutos (estándar), hornos Majus / SANARIUM M 6 - 12 kW, Pluris / Pluris Softclima 4,5 - 9 kW, Trumpf 3 - 9 kW, Softclima 3 - 7,5 kW, Bonatherm VS 6 - 12 kW, BONATHERM 6 - 15 kW, SANARIUM B 6 - 12 kW, Fero/Fero S 4,5 - 12 kW	1 = Aumento de 5 kelvin en 2 minutos, hornos Majus 16 - 30 kW, Pluris Softclima 12 kW, Softclima 9 kW
2 = Aumento de 5 kelvin en 5 minutos, horno Pluris Softclima 3 kW	3 = Sin asignar
4 = Sin asignar	5 = Curva de calentamiento individual. Calibración a través del punto del menú de servicio 35, ver la página 101.

8.4. Menú de servicio 35 - SM_P, calibración de la fase de calentamiento

Calibración de la fase de calentamiento para la conexión a través del arranque remoto, el servicio de preselección o la aplicación.

- Condiciones previas:
Llevar a cabo el proceso únicamente cuando la cabina y el horno estén fríos. De lo contrario, los valores de medición se falsean y la monitorización no funciona correctamente durante el servicio.
 - 1. Seleccionar el menú 35.
 - Se inicia el proceso de calibración hasta que se alcance una diferencia de 5 kelvin.
 - Después de alcanzar una diferencia de 5 kelvin, se detiene el tiempo medido (por ejemplo, 240 segundos).
-> Indicación de la temperatura 5,0 (kelvin) y 240 (segundos).
 - 2. Confirmar los valores indicados con OK.
 - 3. Seleccionar el menú END y confirmar con OK.
-

— 90 °C

— 60 °C

— 40 °C

9. MÓDULO WLAN

9.1. Activar el módulo WLAN



Requisito:

El módulo WLAN debe estar integrado en la unidad de control.



PIN = 1111

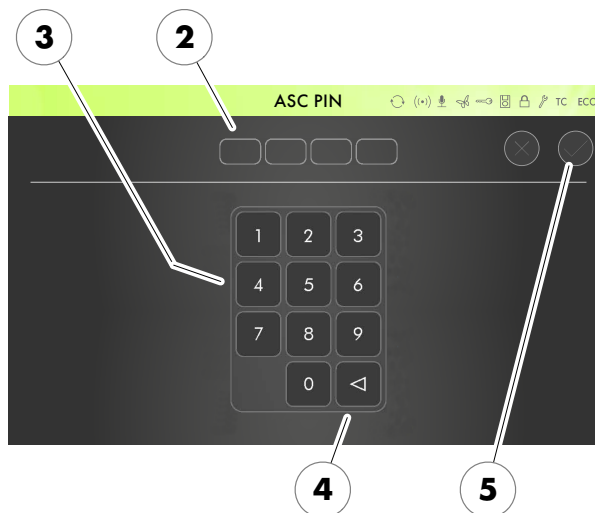
- Módulo WLAN no activado.

PIN = 2222

- Módulo WLAN activado.
- El módulo WLAN de la unidad de control pone a disposición una red ad hoc para la configuración.

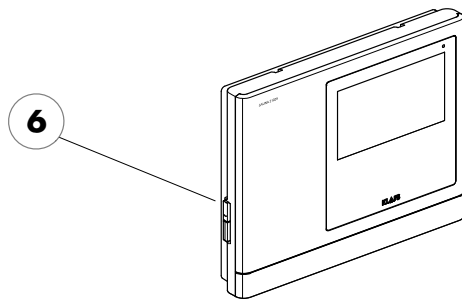
1. Pulsar la línea ASC PIN (1).

El primer número de la entrada de PIN (2) parpadea.



- El PIN para probar la función WLAN es "2222".
2. Introducir el PIN en el bloque de números (3).
 - La tecla (4) permite anular una entrada incorrecta.
 3. Confirmar el PIN introducido pulsando el símbolo (5).
 4. Salir del menú.

9.1. Activar el módulo WLAN



5. Desconectar y volver a conectar la unidad de control con el interruptor principal (6).

6. Después de conectar la unidad de control, comienza la inicialización del módulo WLAN en la unidad de control.

- La inicialización dura unos 30 segundos aproximadamente y se indica mediante el símbolo (7) parpadeando.

7. Una vez finalizada la inicialización con éxito, el símbolo (7) deja de parpadear y cambia a iluminación continua. El módulo WLAN está ahora operativo.



DEUTSCHLAND | ERICH KLAFS STRASSE 1 - 3 | D-74523 SCHWÄBISCH HALL
TELEFON +49 (0)791 501-0 | FAX +49 (0)791 501-248 | INFO@KLAFS.DE | WWW.KLAFS.DE

ÖSTERREICH | SONNWIENENWEG 19 | A-6361 HOPFGARTEN/TIROL
TELEFON +43 (0)5335 23 30-0 | FAX +43 (0)5335 23 30-36 | INFO@KLAFS.AT | WWW.KLAFS.AT

SCHWEIZ | OBERNEUHOFSTRASSE 11 | CH-6340 BAAR
TELEFON +41 (0)41 760 22 42 | FAX +41 (0)41 760 25 35 | BAAR@KLAFS.CH | WWW.KLAFS.CH

